

## Stereo Jack Series

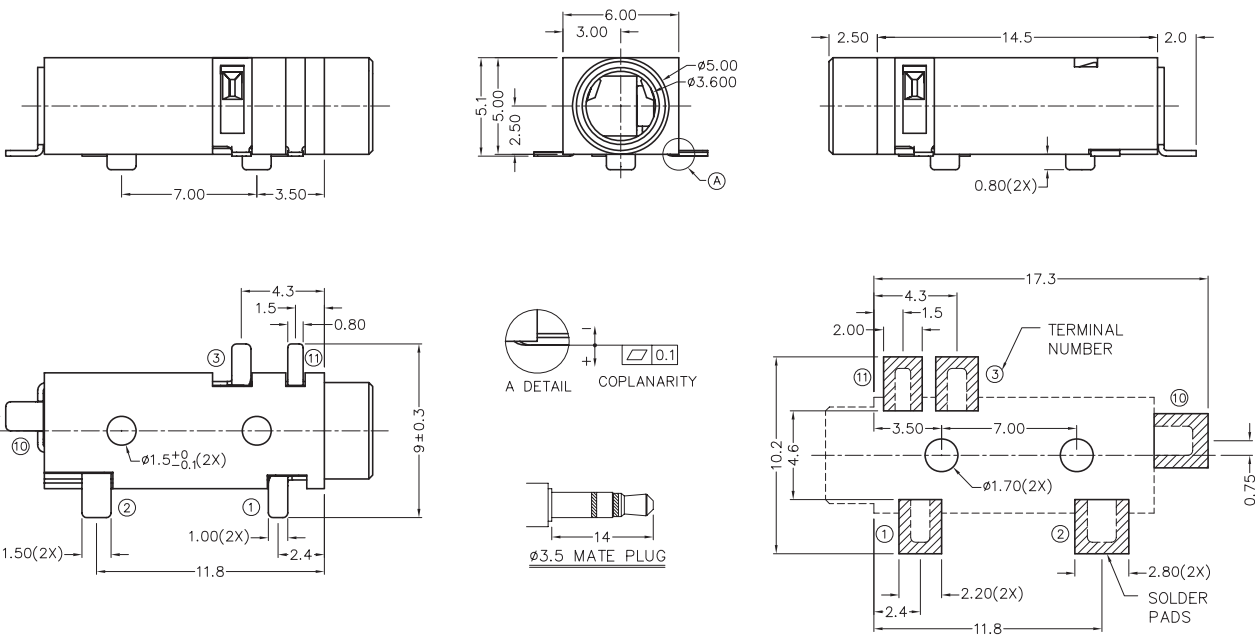
### KLS1-TPJ3.5-002 (SMD Stereo Jack)

**Technical parameters:**

Rated voltage: DC 30 V  
 Rated current: 0.5 A  
 Contact resistance: 0.03Ω, max  
 Insulation resistance: 100MΩ, min  
 Pressure: AC500V (50Hz) / 1minute  
 Insertion Force :2-20 N  
 Life: 50000 times  
 Operating Temperature:-30°C ~ 70°C

**Material:**

- Terminal 1 : Copper Alloy
- Terminal 2 : Copper Alloy
- Terminal 3 : Copper Alloy
- Terminal 10 : Brass
- Terminal 11 : Copper Alloy
- Housing : Pa66



MODEL NO.	KLS1-TPJ3.5-002	KLS1-TPJ3.5-002A	KLS1-TPJ3.5-002B	KLS1-TPJ3.5-002C	KLS1-TPJ3.5-002D
SCHEMATIC					

RECOMMENDED SOLDER PAD LAYOUT

## ORDER INFORMATION

Product NO.: KLS1-TPJ3.5-002A

