

Stereo Jack Series

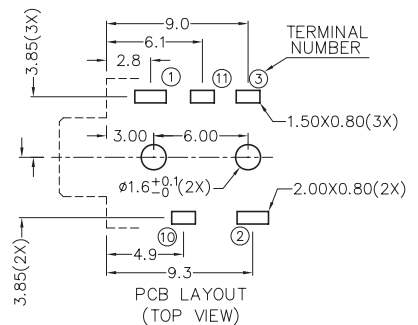
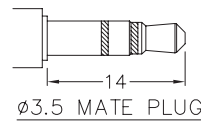
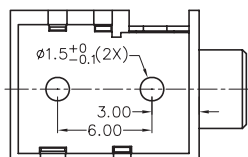
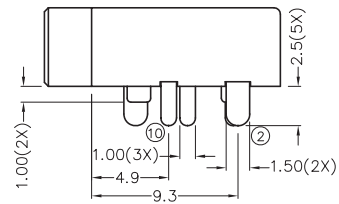
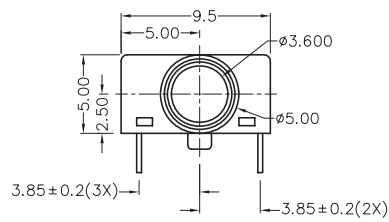
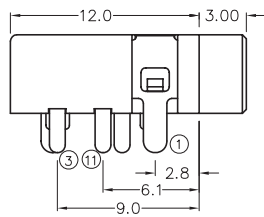
KLS1-TSJ3.5-012 (Dip Stereo Jack)

Technical parameters:

Rated voltage: DC 30 V
 Rated current: 0.5 A
 Contact resistance: 0.03Ω, max
 Insulation resistance: 100MΩ, min
 Pressure: AC500V (50Hz) / 1minute
 Insertion Force :2-20 N
 Life: 50000 times
 Operating Temperature:-30°C ~ 70°C

Material:

Terminal 1 : Copper Alloy
 Terminal 2 : Copper Alloy
 Terminal 3 : Copper Alloy
 Terminal 10 : Brass
 Terminal 11 : Brass
 Housing : Pa66
 Cover : Pa66



MODEL NO.	TSJ3.5-012	TSJ3.5-012A	TSJ3.5-012B	TSJ3.5-012C	TSJ3.5-012D
SCHEMATIC					

ORDER INFORMATION

Product NO.: KLS1-TSJ3.5-012A

Pos. NO. ————
 3.5mm Dip Stereo Jack ————
 Schematic: See Annex