

Stereo Jack Series

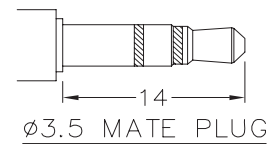
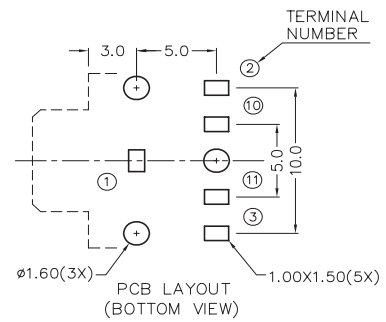
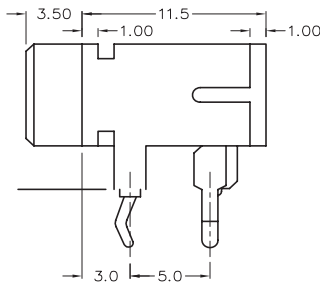
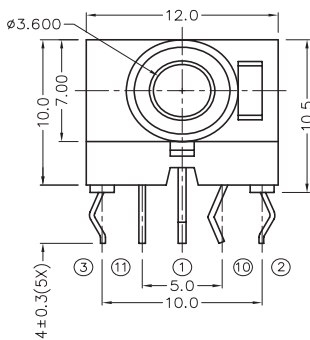
KLS1-TSJ3.5-006A (Dip Stereo Jack)

Technical parameters:

Rated voltage: DC 30 V
 Rated current: 0.5 A
 Contact resistance: 0.03Ω, max
 Insulation resistance: 100MΩ, min
 Pressure: AC500V (50Hz) / 1minute
 Insertion Force :2-20 N
 Life: 50000 times
 Operating Temperature:-30°C ~ 70°C

Material:

Housing/Cover :PBT
 Center Pin Material:
 Terminal 1,10,11 : Brass
 Terminal 2,3 : Copper Alloy



MODEL NO.	TSJ3.5-006A	TSJ3.5-006AA	TSJ3.5-006AB	TSJ3.5-006AC	TSJ3.5-006AD	TSJ3.5-006AE
SCHEMATIC						

ORDER INFORMATION

Product NO.: KLS1-TSJ3.5-006AA

