

Stereo Jack Series

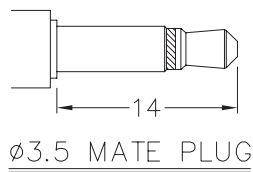
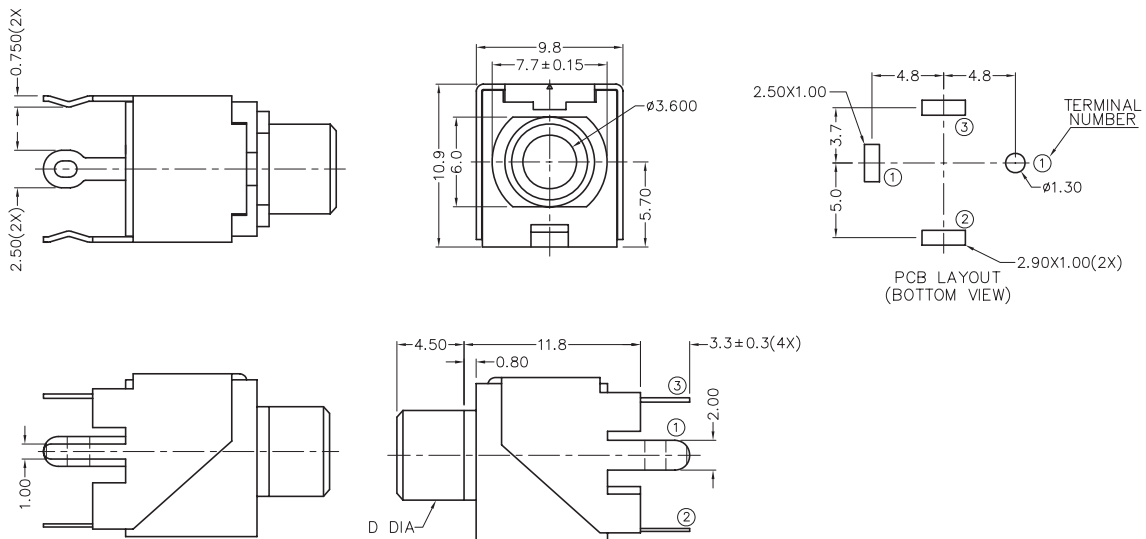
KLS1-TG3.5-002B (Dip Mono Jack)

Technical parameters:

Rated voltage: DC 30 V
 Rated current: 0.5 A
 Contact resistance: 0.03Ω, max
 Insulation resistance: 100MΩ, min
 Pressure: AC500V (50Hz) / 1minute
 Insertion Force :2-20 N
 Life: 50000 times
 Operating Temperature:-30°C ~ 70°C

Material:

Housing Material:PBT
 Center Pin Material:
 Terminal 1 :Cold Rolled Steel
 Terminal 2 :Copper Alloy
 Terminal 3 :Brass
 Bushing :Brass



MODEL NO.	TG3. 5-002B
D DIA	Without NUT ø5.5
SCHEMATIC	

ORDER INFORMATION

Product NO.: KLS1-TG3.5-002B

