

FUSE AND FUSE HOLDER

Coin Cell Holder Series

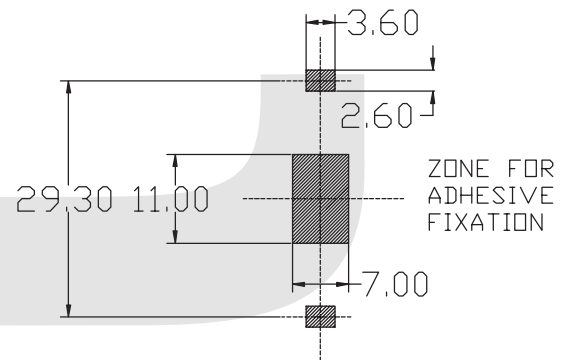
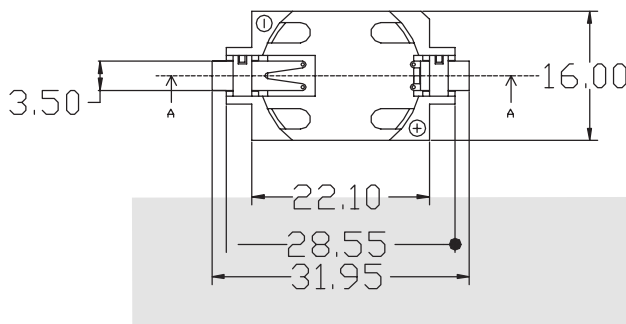
KLS5-CR2032-05 Coin Cell Holder Series

Material:

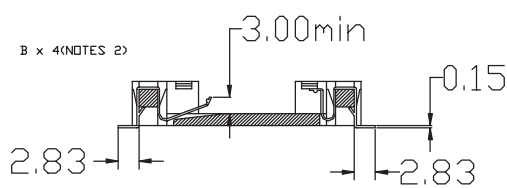
Housing: LCP
Contacts: Phosphor Bronze

Electrical Characteristics:

Insulator Resistance: 1000M Ohm min.
Contact Resistance: 30m Ohm max.
Dielectric voltage: 500V AC
Operating Temperature: -55 C~+105 C



PCB LAYOUT



SECTION A-A

ORDER INFORMATION

ProductNO.: KLS5-CR2032-05

Pos. No. _____

Part Number