

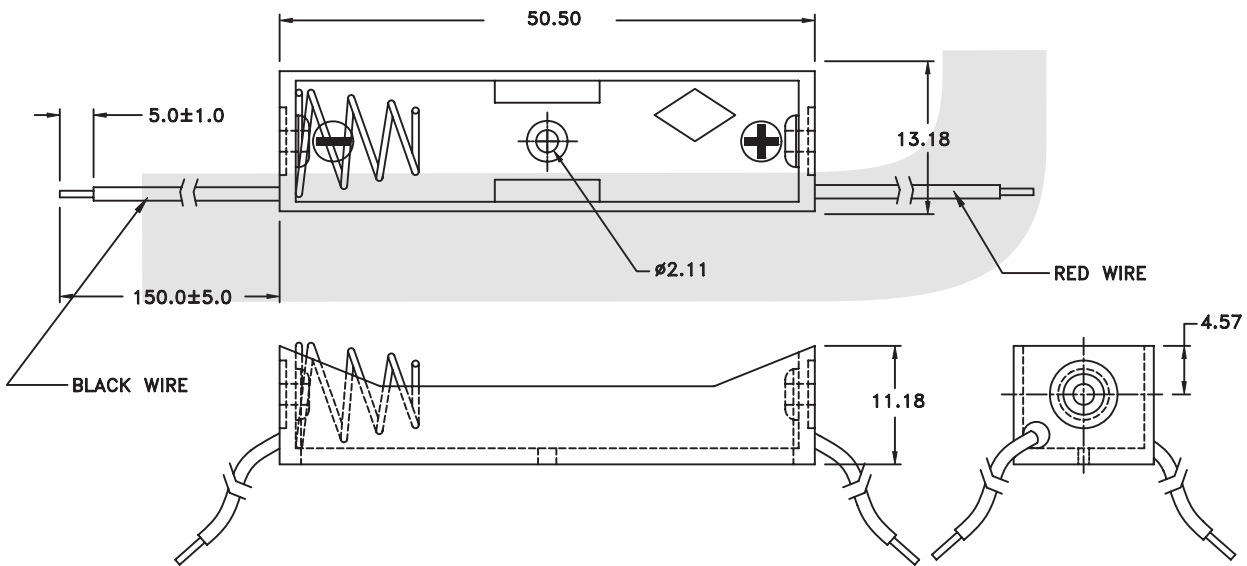
FUSE AND FUSE HOLDER

Cell Box Series

KLS5-817 UM-4 OR "AAA" Cell Box Series



WIRE: UL 1007, # 26 AWG
BLACK & RED: 150 MM ± 5MM
STRIP & TIN: 5 MM ± 1MM
MATERIAL: A. B. S. RESIN BLACK COLOR
SPRING: .6 MM 65C SPRING WIRE
DESCR.: FOR ONE "AAA" CELLS



ORDER INFORMATION

Product NO.: **KLS5-817-B**

Part Number
Cell Box Series

TYPE:
A: With Soldered lug
B: With Wire L=15cm or other
D: With Pin

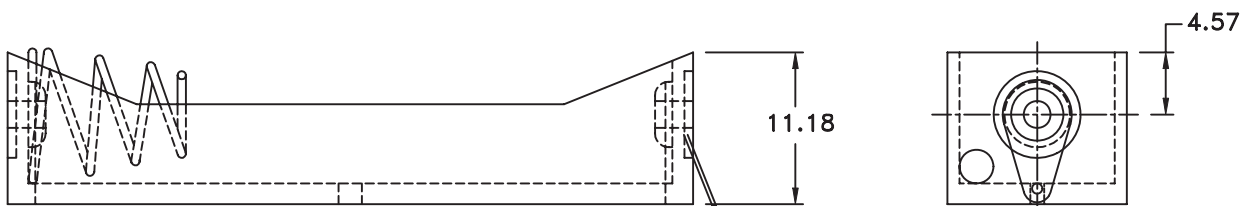
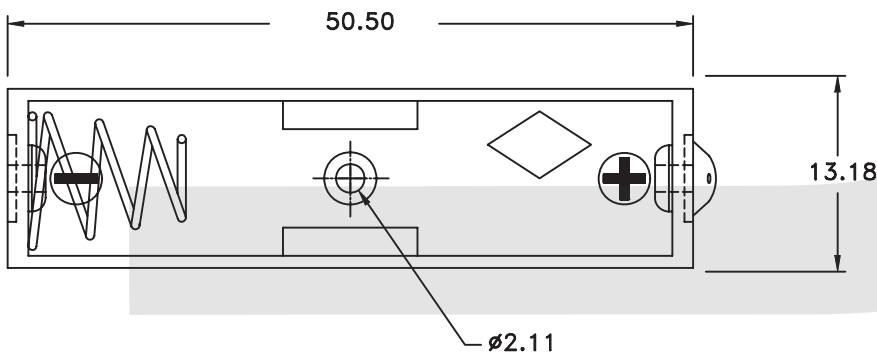
FUSE AND FUSE HOLDER



Cell Box Series

KLS5-817 UM-4 OR "AAA" Cell Box Series

WIRE: UL 1007, # 26 AWG
BLACK & RED: 150 MM ± 5MM
STRIP & TIN: 5 MM ± 1MM
MATERIAL: A. B. S. RESIN BLACK COLOR
SPRING: .6 MM 65C SPRING WIRE
DESCR.: FOR ONE "AAA" CELLS



ORDER INFORMATION

Product NO.: **KLS5-817-A**

Part Number
Cell Box Series

TYPE:
A:With Soldered lug
B:With Wire L=15cm or other
D:With Pin

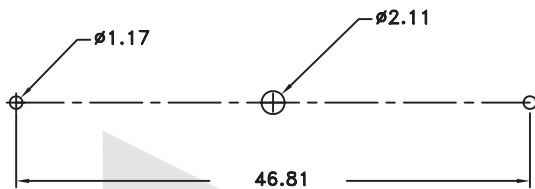
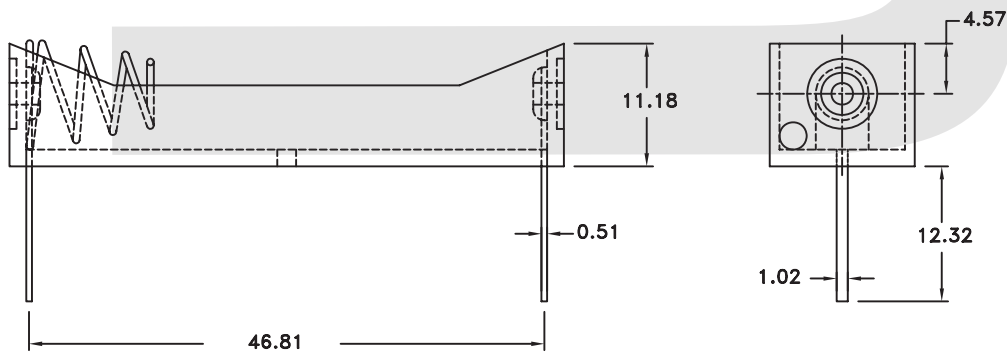
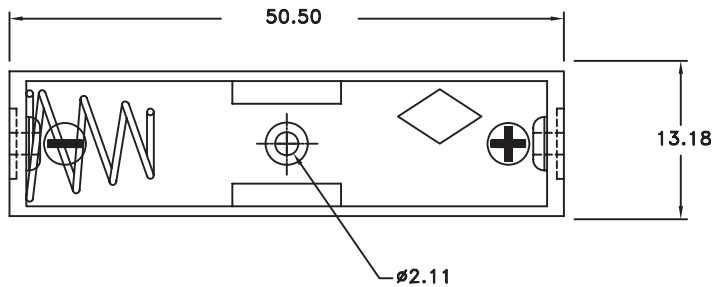
FUSE AND FUSE HOLDER



Cell Box Series

KLS5-817 UM-4 OR "AAA" Cell Box Series

WIRE: UL 1007, # 26 AWG
BLACK & RED: 150 MM ± 5MM
STRIP & TIN: 5 MM ± 1MM
MATERIAL: A. B. S. RESIN BLACK COLOR
SPRING: .6 MM 65C SPRING WIRE
DESCR.: FOR ONE "AAA" CELLS



PCB LAYOUT

ORDER INFORMATION

Product NO.: **KLS5-817-D**

Part Number
Cell Box Series

TYPE:
A: With Soldered lug
B: With Wire L=15cm or other
D: With Pin