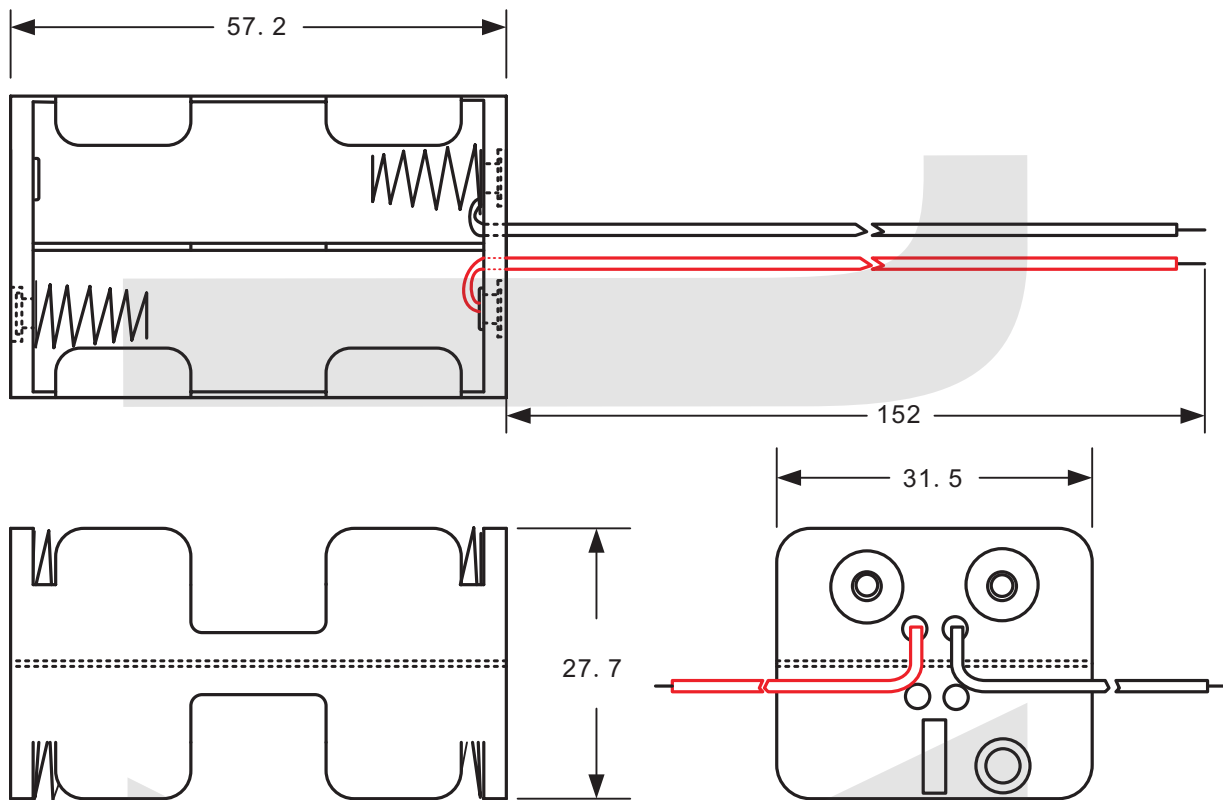


# FUSE AND FUSE HOLDER

## Cell Box Series

### KLS5-810 UM-3 OR "AA" Cell Box Series

WIRE: UL 1007, # 26 AWG  
BLACK & RED: 150 MM ± 5MM  
STRIP & TIN: 5 MM ± 1MM  
MATERIAL: A. B. S. RESIN BLACK COLOR  
SPRING: .6 MM 65C SPRING WIRE  
DESCR.: FOR ONE "AA" CELLS



WIRE LEADS SHOWN ABOVE

## ORDER INFORMATION

Product NO.: **KLS5-810-B**

Part Number  
Cell Box Series

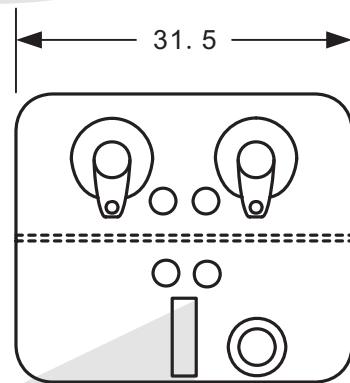
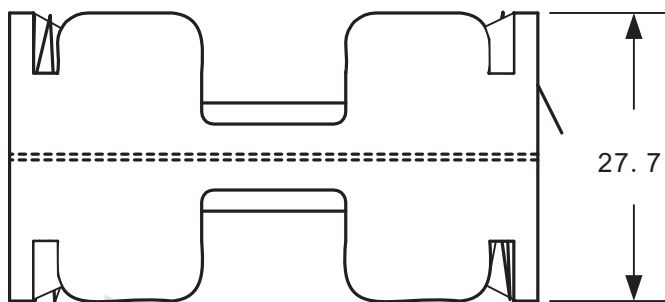
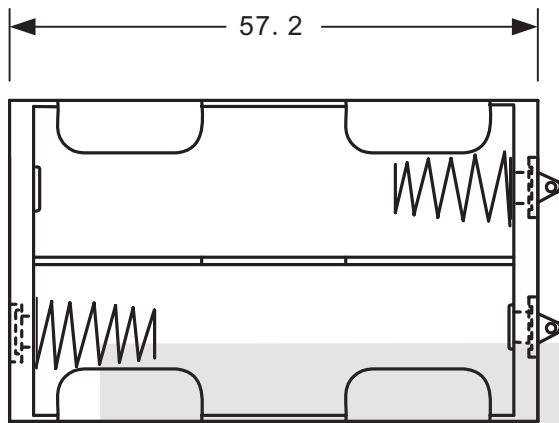
TYPE:  
A:With Soldered lug  
B:With Wire L=15cm or other  
C:With 6 Prong snap

# FUSE AND FUSE HOLDER

## Cell Box Series

### KLS5-810 UM-3 OR "AA" Cell Box Series

WIRE: UL 1007, # 26 AWG  
BLACK & RED: 150 MM ± 5MM  
STRIP & TIN: 5 MM ± 1MM  
MATERIAL: A. B. S. RESIN BLACK COLOR  
SPRING: .6 MM 65C SPRING WIRE  
DESCR.: FOR ONE "AA" CELLS



SOLDER LUGS SHOWN ABOVE

## ORDER INFORMATION

Product NO.: **KLS5-810-A**

Part Number  
Cell Box Series

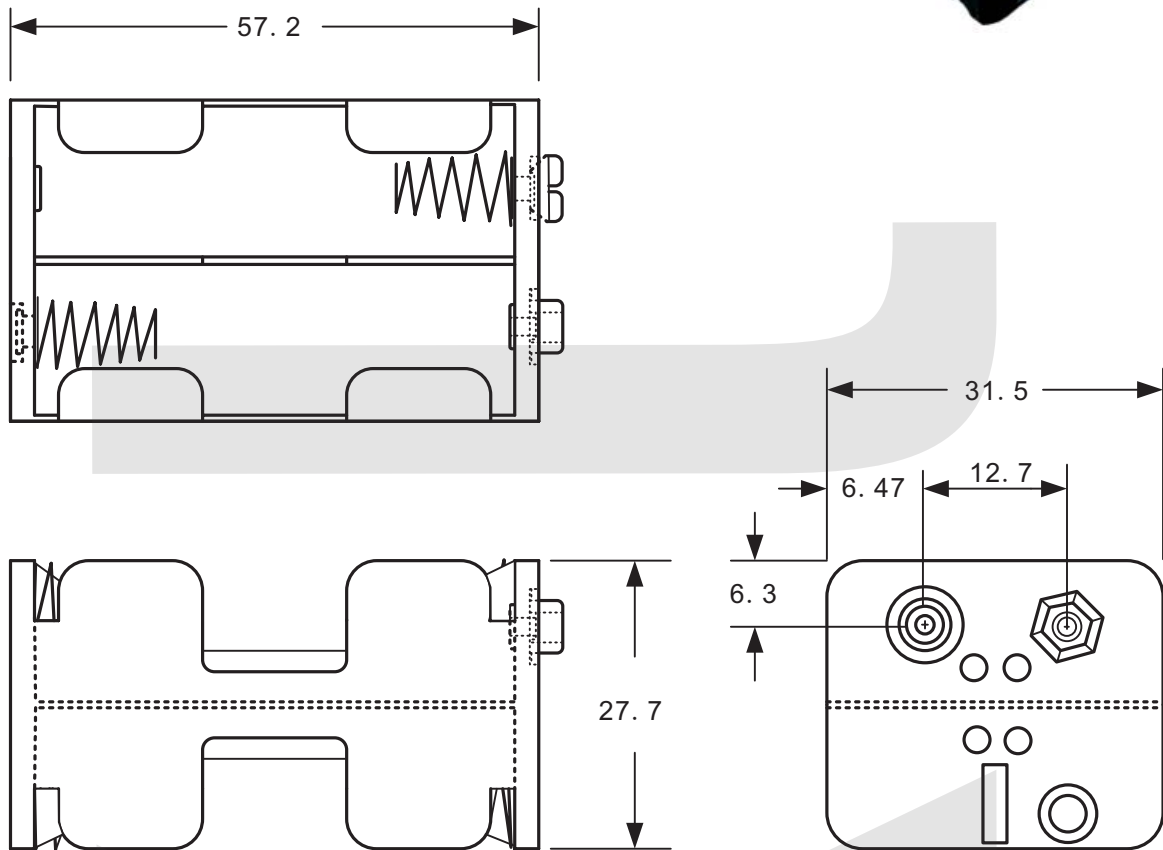
TYPE:  
A:With Soldered lug  
B:With Wire L=15cm or other  
C:With 6 Prong snap

# FUSE AND FUSE HOLDER

## Cell Box Series

### KLS5-810 UM-3 OR "AA" Cell Box Series

WIRE: UL 1007, # 26 AWG  
BLACK & RED: 150 MM ± 5MM  
STRIP & TIN: 5 MM ± 1MM  
MATERIAL: A. B. S. RESIN BLACK COLOR  
SPRING: .6 MM 65C SPRING WIRE  
DESCR.: FOR ONE "AA" CELLS



9 VOLT SNAP TYPE SHOWN ABOVE

## ORDER INFORMATION

Product NO.: **KLS5-810-C**

Part Number  
Cell Box Series

TYPE:  
A:With Soldered lug  
B:With Wire L=15cm or other  
C:With 6 Prong snap