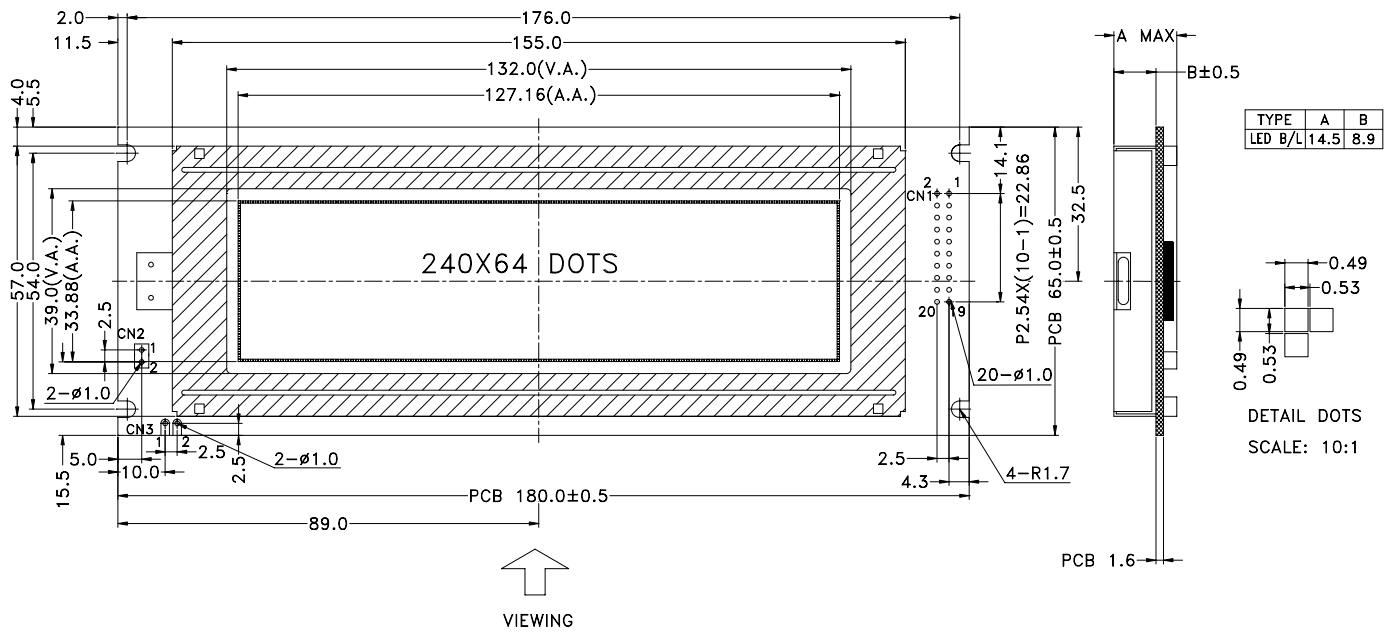


Outline Dimension



Graphic Type

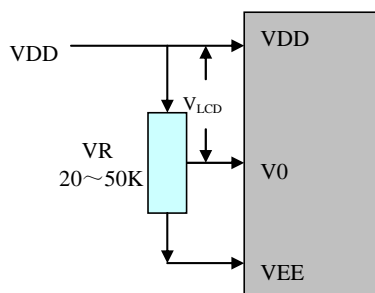
Feature :

- 1、240x64 dot-matrix
- 2、STN/Transflective/ Positive/Y-G
- 3、Backlight: Yellow-green/bottom light
- 4、Operating Temp.: -20°C~+70°C
- 5、1/64 duty cycle, 1/9 Bias
- 6、Built-in Controller (T6963C or equivalent)
- 7、Viewing angle: 6 o'clock

Absolute Maximum Rating :

Item	Symbol	Standard value			Unit
		M _{IN}	T _{YP}	M _{AX}	
Power supply for logic	V _{DD} -V _{SS}	-0.3	--	7.0	V
Input voltage	V _I	-0.3	--	V _{DD} +0.3	V

Adjusting Display Contrast :



Note: Adjust V0 to VDD as an initial setting. When the module is operational, readjust V0 for optimal display appearance.

Electrical Characteristic : (V_{SS}=0V, T_a = 25°C)

Parameter	Symbol	Condition	M _{IN}	T _{YP}	M _{AX}	Unit
Supply voltage for logic	V _{DD}	--	4.8	5.0	5.2	V
Supply current for logic	I _{DD}	--	--	20	--	mA
Operating voltage for LCD	V _{LCD}	-20°C	--	--	--	V
		+25°C	--	12.5	--	V
		+70°C	--	--	--	V
Supply voltage for Backlight	V _{BL}	--	--	5.0	--	V
Supply current for Backlight	I _{BL}	--	--	630	--	mA

Interface Pin Connections :

CNI:

Pin No.	Symbol	Level	Description
1	FGND	0V	Ground for Frame.
2	VSS	0V	Ground output for pad option.
3	VDD	+5.0V	Supply voltage for logic operating.
4	V0	--	Adjusting the LCM display contrast voltage input.
5	WR	H/L	Data write. Write data into T6963C when WR=L.
6	RD	H/L	Data read. Read data from T6963C when RD=L.
7	CE	H/L	Chip Enable for T6963C. CE must be L when CPU communicates with T6963C.
8	C/D	H/L	WR=L.....C/D=H: Command Write C/D=L: Data Write RD=L.....C/D=H: Status Read C/D=L: Data Read
9	NC	--	Non-connection.
10	RESET	H/L	H.....Normal (T6963C has internal pull-up resistor) L.....Initialize T6963C. Text and Graphic have addresses and text and graphic area settings are retained.
11~18	DB0~DB7	H/L	8-bit bi-directional data bus.
19	FS	H/L	Pins for selection of font. The pin FS0 has been connected to the LOW in the PCB.
20	VEE	--	DC/DC converted negative voltage output.

CN2&CN3:

Pin No.	Symbol	Level	Description
1	LED+	+5.0V	Power supply for Backlight
2	LED-	0V	The backlight ground.