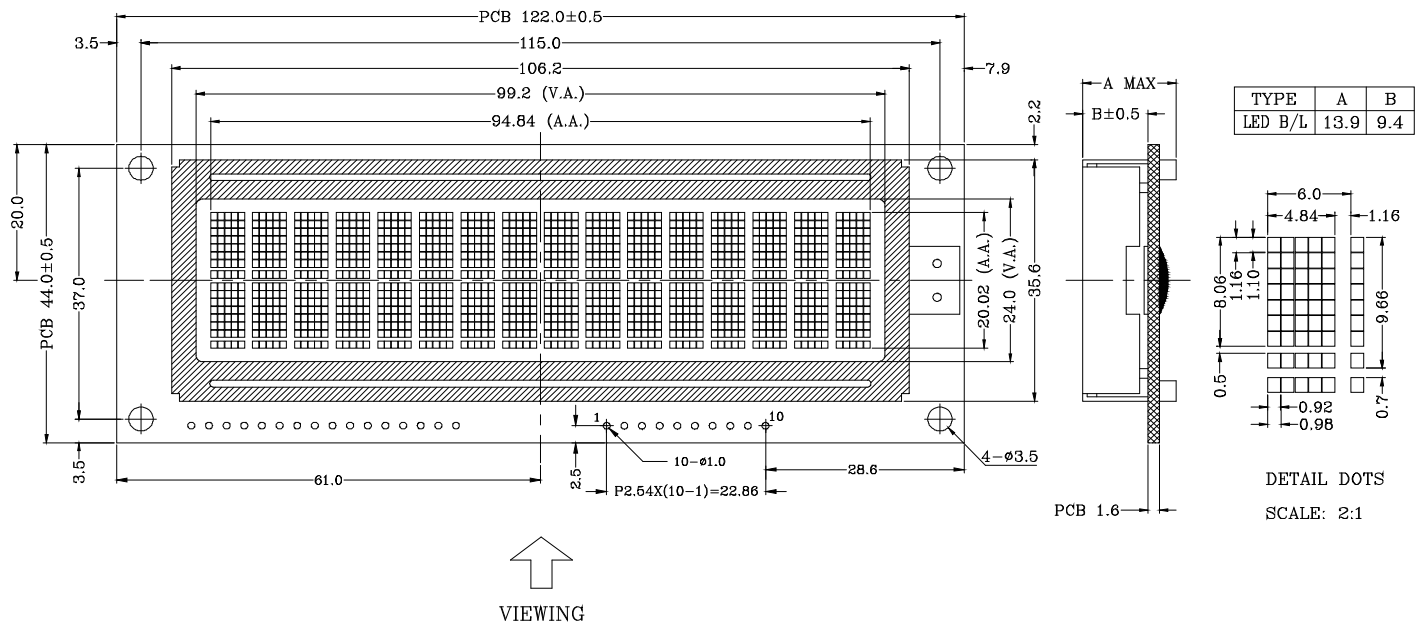


Outline Dimension



Character Type

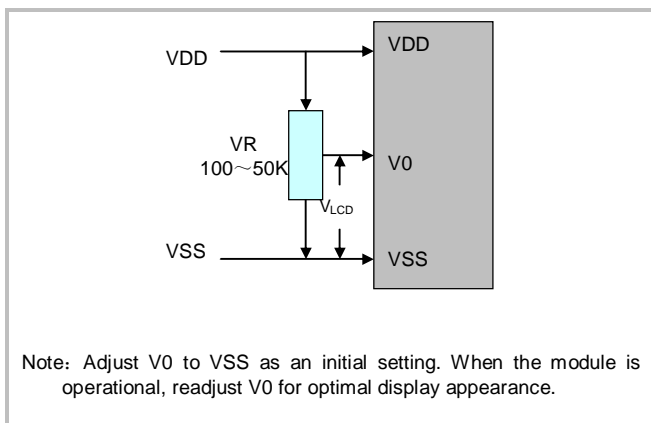
Feature:

- 16X2 Characters
- STN/TRANSFLECTIVE/POSITIVE/Y-G
- Yellow-green/bottom-light (LED)
- Operating Temp.: 0°C ~ +50°C
- 1/16 duty cycle, 1/5 Bias
- Built-in Controller (ST7070 or equivalent)
- Viewing angle: 6 o'clock

Absolute Maximum Rating:

Item	Symbol	Standard value			Unit
		M _{IN}	T _{YP}	M _{AX}	
Power supply for logic	V _{DD} -V _{SS}	-0.3	--	7.0	V
Input voltage	V _I	-0.3	--	V _{DD} +0.3	V

Adjusting Display Contrast:



Electrical Characteristic:

(V_{SS}=0V, T_a = 25°C)

Parameter	Symbol	Condition	M _{IN}	T _{YP}	M _{AX}	Unit
Supply voltage for logic	V _{DD}	--	3.1	3.3	3.5	V
Supply current for logic	I _{DD}	--	--	1.5	--	mA
Operating voltage for LCD	V _{LCD}	0°C	--	--	--	V
		+25°C	--	3.0	--	V
		+50°C	--	--	--	V
Supply voltage for Backlight	V _{BL}	--	--	5.0	--	V
Supply current for Backlight	I _{BL}	--	--	240	--	mA

Interface Pin Connections:

Pin No.	Symbol	Level	Description
1	VSS	0V	Ground.
2	VDD	+3.3V	Supply voltage for logic operating.
3	V0	--	Adjusting voltage for LCD driving (variable).
4	/CS	H/L	Chip select pin for serial mode: When serial interface select, Active LOW.
5	CLK	H/L	Clock input
6	SI	H/L	Data input
7	RS	H/L	A signal for selecting registers: 1: Data Register (for read and write) 0: Instruction Register (for write), Busy flag-Address Counter (for read).
8	/RST	H/L	Hardware reset pin, low active.
9	LED+	+5.0V	Power supply for Backlight
10	LED-	0V	The backlight ground