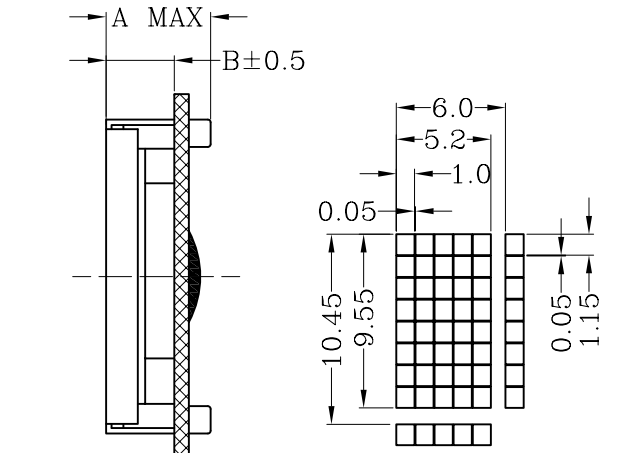


TYPE	A	B
LED B/L	12.0	7.5



DETAIL DOTS
SCALE: 2:1

PIN	1	2	3	4	5	6	7	8	9	10	11	12	13	14	15	16
NAME	VSS	VDD	V0	RS	R/W	E	DB0	DB1	DB2	DB3	DB4	DB5	DB6	DB7	LED+	LED-



SPECIFICATIONS	
1.	DISPLAY TYPE: STN / TRANSMISSIVE / NEGATIVE / BLUE
2.	LCD DRIVING VOLTAGE: 5.0 V
3.	LOGIC VOLTAGE: 5.0 V
4.	VIEWING DIRECTION: 6 O'CLOCK
5.	OPERATING TEMP: -20° C ~70° C
6.	STORAGE TEMP: -30° C ~80° C
7.	DRIVE MODE: 1 / 16 DUTY, 1 / 5 BIAS
8.	BACKLIGHT: WHITE /SIDE/BACKLIGHT/5.0 V
9.	OTHER:
MECHANICAL TOL.±0.3UNLESS SPECIFIED	

NOTE:

DESCRIPTION:		C/D	
SCALE: FIT			
SHEET: 1 OF 1			
PROJECTION	MODEL	SERIAL NUMBER	
UNIT: mm	TC1602D-02T	MLX1522	
APP:	CHK:	DWN:	
DATE:	DATE:	DATE:	