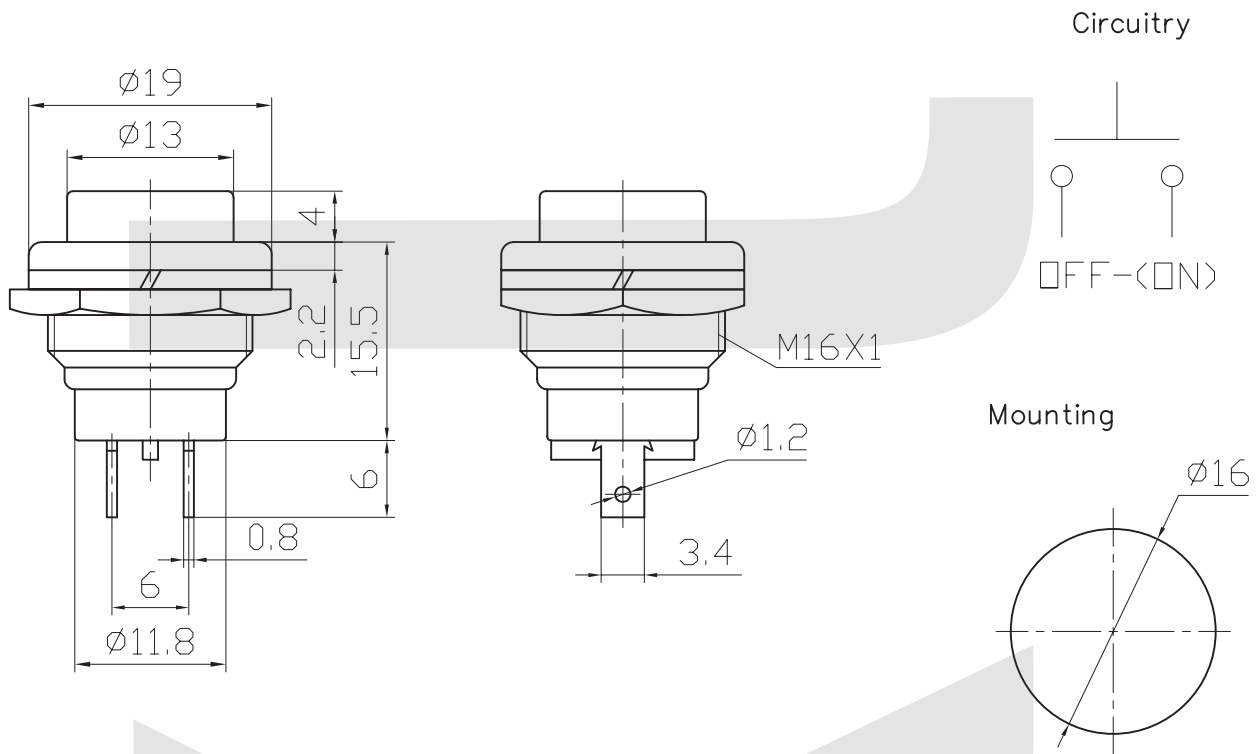


Push Button Switch Series

KLS7-PBS-001 Push Button Switch Series

ELECTRICAL

Rating: 4A 125V AC ,2A 250V AC
 Contact resistance: 20mΩ Max
 Insulation resistance: 100MΩ/500VDC Min
 Withstanding Voltage: AC1000V/1Min
 Operating Temperature: -25°C~+85°C
 Electrical life: 50000 Cycles



ORDER INFORMATION

KLS7-PBS-001 X

Part Number

PBS-001: Push Button Switch Series

Function: C=ON-(OFF)
 D=OFF-(ON)