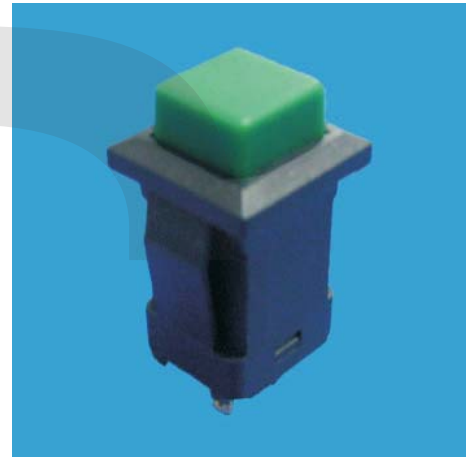


Push Button Switch Series

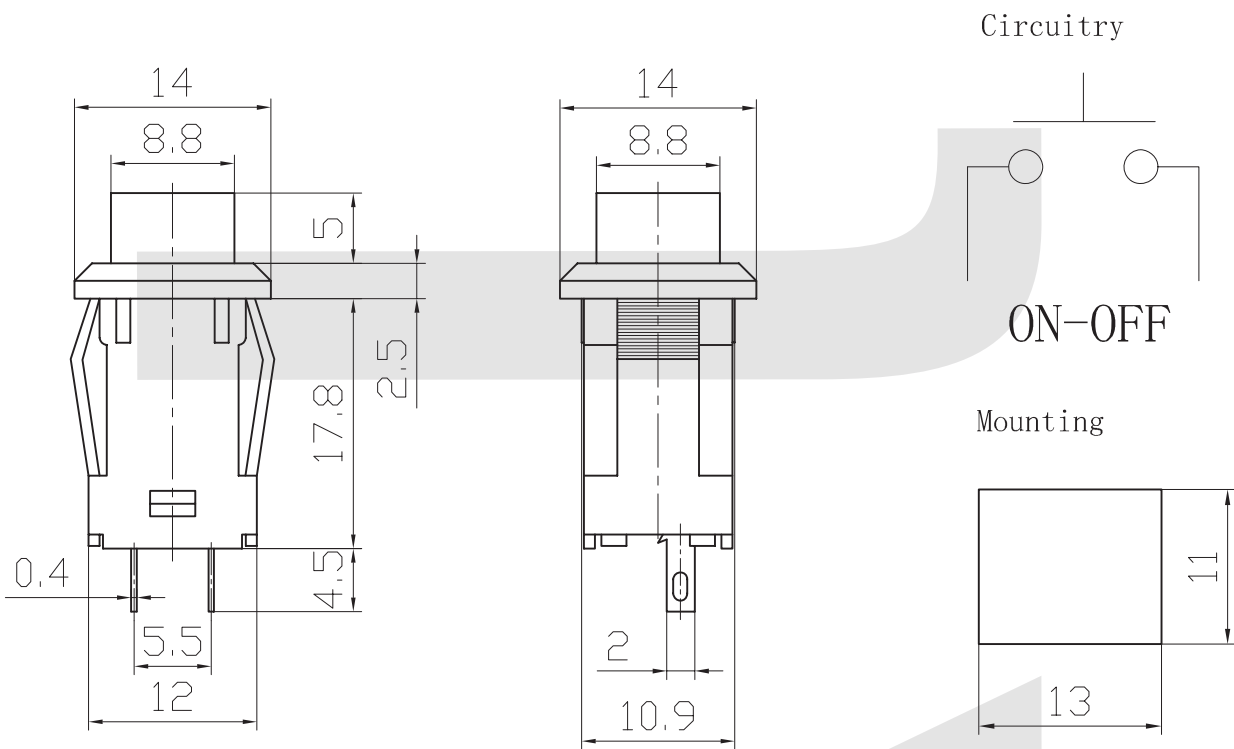
KLS7-PBS-002 Push Button Switch Series

ELECTRICAL

Rating: 3A 125V AC ,1A 250V AC
 Contact resistance: 20mΩ Max
 Insulation resistance: 100MΩ/500VDC Min
 Withstanding Voltage: AC1000V/1Min
 Operating Temperature: -25°C~+85°C
 Electrical life: 50000 Cycles



VII



ORDER INFORMATION

KLS7-PBS-002 X X

Part Number ————
 PBS-002: Push Button Switch Series ————
 Button color: R=Red G=Green B=Black
 Function: B=ON-OFF