

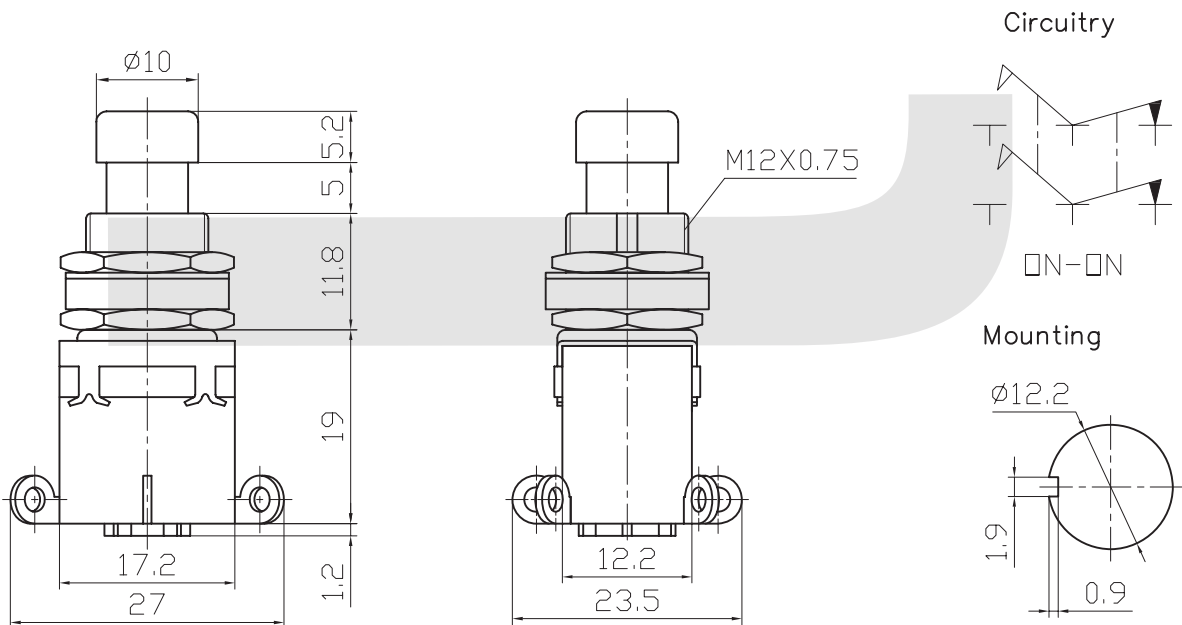
Switch

Push Button Switch Series

KLS7-PBS-017 Push Button Switch Series

ELECTRICAL

Rating: 4A 125V AC ,2A 250V AC
 Contact resistance: 20mΩ Max
 Insulation resistance: 100MΩ/500VDC Min
 Withstanding Voltage: AC1000V/1Min
 Operating Temperature: -25°C~+85°C
 Electrical life: 50000 Cycles



ORDER INFORMATION

KLS7-PBS-017 X 1 X

Part Number	_____	_____	_____	Sleeve length L = 14.2; 11.8; 9.8
PBS-017: Push Button Switch Series	_____	_____	_____	1=Single pole 2=Double pole
				Function: B=ON-OFF C=ON-(OFF) D=OFF-(ON)