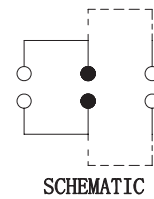
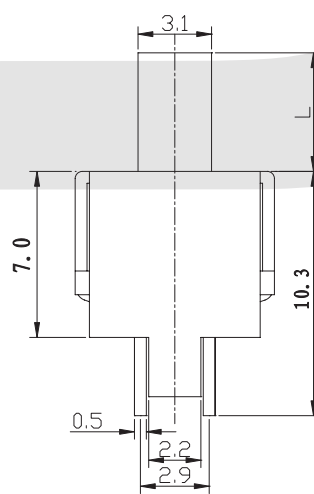
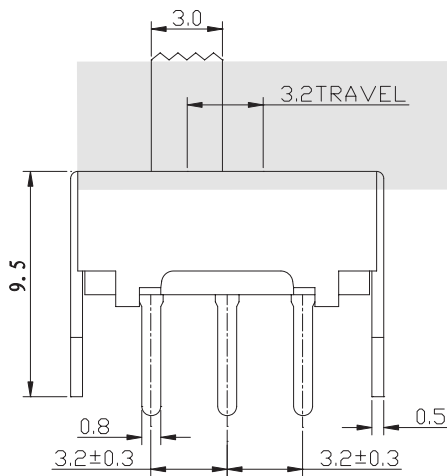
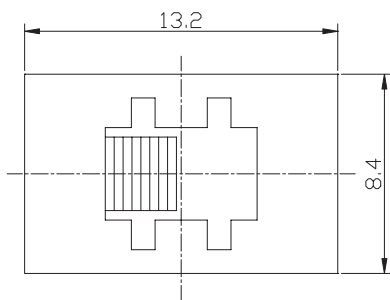


Slide Switch Series

KLS7-SS32-22F03 (2P2T) Slide Switch Series

SPECIFICATIONS

- Rating: 0.3A 50VDC
- Contact Resistance: 50MΩ max
- Insulation Resistance: 500VDC 100MΩ Min
- Dielectric Strength: 100V AC 1 Minute
- Operating Force: 100gf~800gf
- Electrical Life : 10,000 cycles



ORDER INFORMATION

KLS7-SS32 - 2 2 F 03 - X X - X

- Part Number
- Slide Switch Type
- Pole
- Throw
- Operating Force
- Knobe Height
- Sequential No.

| Travelling | | | | | |
|------------|-----|-----|-----|-----|-----|
| C | D | E | F | G | H |
| 1.5 | 2.0 | 2.5 | 3.0 | 3.5 | 4.0 |
| I | J | K | L | N | P |
| 4.5 | 5.0 | 5.5 | 6.0 | 7.0 | 8.0 |

