

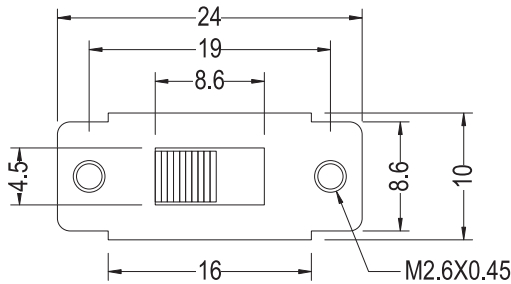
Switch

Slide Switch Series

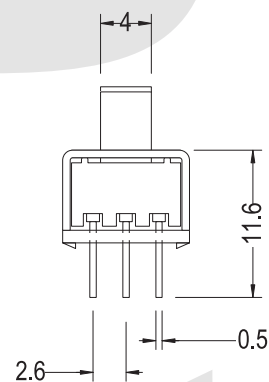
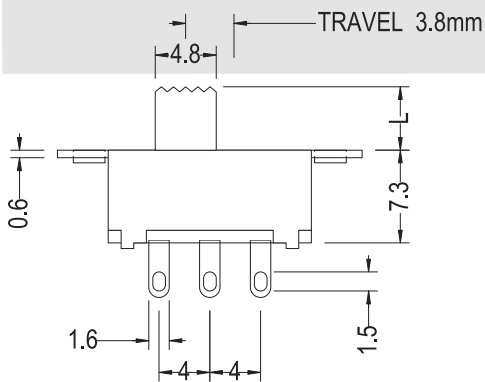
KLS7-SS70-32H01 (3P2T) Slide Switch Series

SPECIFICATIONS

- Rating: 0.5A 50VDC
- Contact Resistance: 30mΩ Max
- Insulation Resistance: 500VDC 100MΩ Min
- Dielectric Strength: 500V AC 1 Minute
- Operating Force: 100gf~800gf
- Electrical Life : 10,000 cycles



SCHEMATIC



ORDER INFORMATION

KLS7-SS70 - 3 2 H 01 - X X - X

- Part Number
- Slide Switch Type
- Pole
- Throw
- Operating Force
- Knobe Height
- Sequential No.

Travelling					
C	D	E	F	G	H
1.5	2.0	2.5	3.0	3.5	4.0
I	J	K	L	N	P
4.5	5.0	5.5	6.0	7.0	8.0

Knob Type					
RG	G	TG	VG	EG	CG