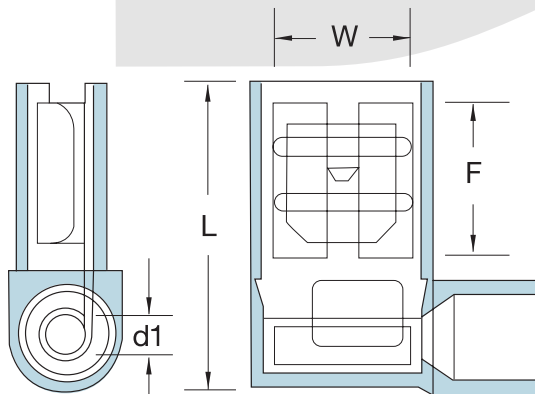


Terminals Series

KLS8-01222 Flag female insulating joint Series

1. Maximum Electrical Rating: 300 VOLTS
2. Maximum Temperature: 105 °C
3. Terminal Material: BRASS
4. Plating: ELECTRO TIN PLATED
5. Insulation Material: NYLON



VIII

| WIRE RANGE mm ² (A.W.G.) | NEMATAB mm(inch) | ITEM NO. | DIMENSION mm(inch) | | | | | Q'TY BOX |
|--|---------------------|-------------|--------------------|--------|--------|--------|--------|-------------|
| | | | W | F | L | d1 | T | |
| 0.5-1.5 (22-16) | 6.35*0.8 | FLDNY1-250 | 6.6 | 7.6 | 16.0 | 1.7 | 0.4 | 1000 |
| | .250*.032 | | (.260) | (.299) | (.630) | (.067) | (.016) | |
| 1.5-2.5 (16-14) | 6.35*0.8 | FLDNY2-250 | 6.6 | 7.6 | 16.0 | 2.3 | 0.4 | 1000 |
| | .250*.032 | | (.260) | (.299) | (.630) | (.091) | (.016) | |
| 4-6 (12-10) | 6.35*0.8 | FLDNY5-250 | 6.6 | 7.6 | 16.5 | 3.4 | 0.4 | 500 |
| | .250*.032 | | (.260) | (.299) | (.650) | (.134) | (.016) | |

ORDER INFORMATION

KLS8-01222 - FLDNY1-250

