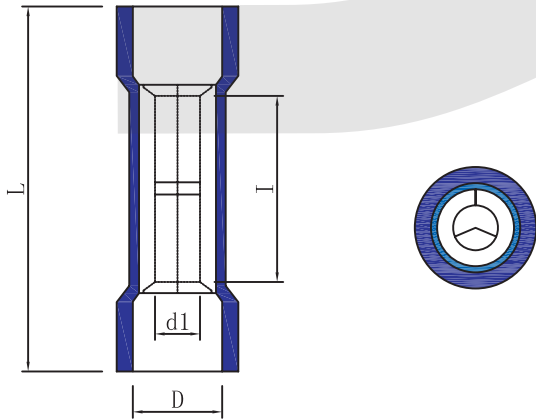


## Terminals Series

### KLS8-01114 Short full insulation middle terminal Series

Maximum Electrical Rating: 105°C 600 Volts MAX.  
Insulation Material: VINYL And NYLON  
Connector Material: COPPER

VIII



Item No.	Section of lead		Dimension			I max	Color
	AWG	mm <sup>2</sup>	I	d1 / D	L		
			mm	mm	mm		
BV1.25	22~16 AWG	0.5~1.5	15.0	1.7/4.0	26.0	19A	Red
BV2	16~14 AWG	1.5~2.5	15.0	2.3/4.5	26.0	27A	Blue
BV5.5	12~10 AWG	4~6	15.0	3.4/6.3	26.0	48A	Yellow
BV8	8 AWG	8	21	4.5/8.5	32	62A	Red
BV14	6 AWG	14	26	5.8/10.5	42	88A	Blue
BV22	4 AWG	22	29	7.7/12.4	50	115A	Yellow
BV38	2 AWG	38	32	9.5/15.5	55	160A	Red

## ORDER INFORMATION

KLS8-01114 - BV1.25

