

Switch

Toggle Switch Series

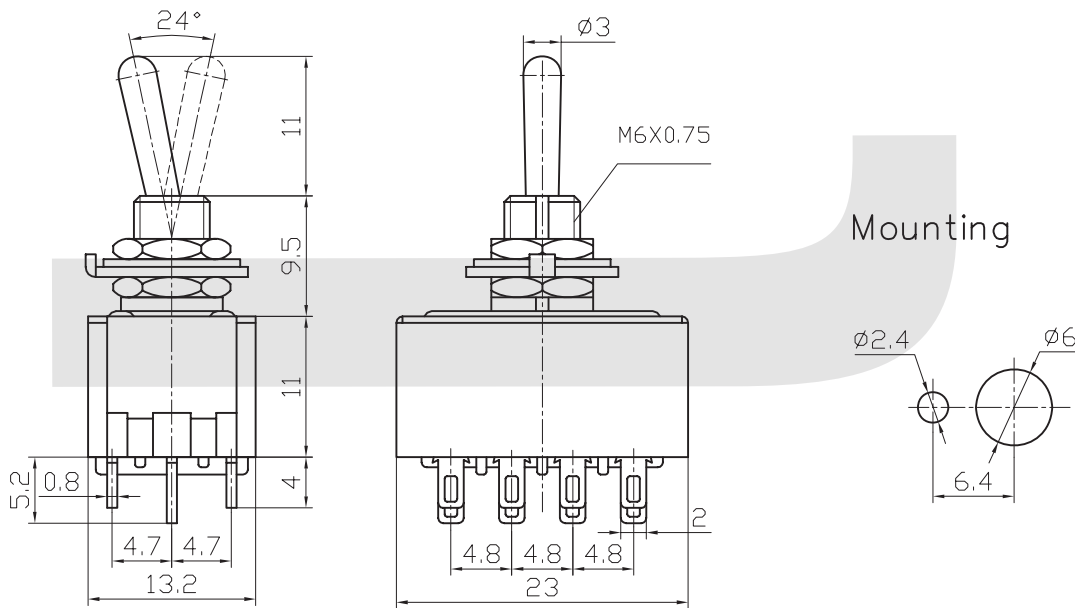
KLS7-MS-402-A1 Miniature Toggle Switch Series

SPECIFICATIONS

Rating: 5A 125VAC; 2A 250VAC
 Contact Resistance: 20MΩ max
 Insulation Resistance: 500V DC 1000MΩ Min
 Dielectric Strength: 1500V AC 1 Minute
 Operating Temperature: -55°C~+85°C
 Electrical Life :20,000 cycles



VII



ORDER INFORMATION

KLS7- MS-4 02-A 1 X X

Part Number

MS: Miniature Toggle Switch Series

POLES: 1=Single Pole
2=Double Pole

CIRCUIT: 01=ON-OFF 12=ON-(ON)
02=ON-ON 13=ON-OFF-(ON)
03=ON-OFF-ON 23=(ON)-OFF-(ON)

BRACKET: T=With Bracket None=Without Bracket

Handle Cap Type: R=Red B=Black W=White
Y=Yellow G=Green BL=Blue

Terminal Type: 1=Solder terminal 2=Pc terminal
3=Pc-H terminal 4=Pc-V terminal

Handle Type: A=Standard C=Short