

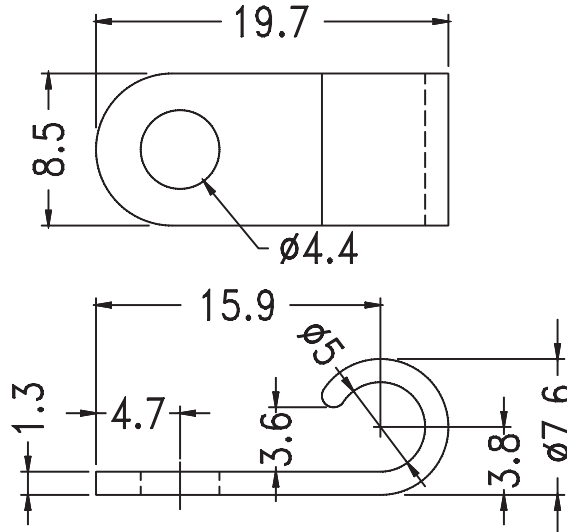
**Cable Clamp Series**

**KLS8-0423 Cable Clamp Series**



Material: UL approved Nylon 66, 94V-2

Unit:mm



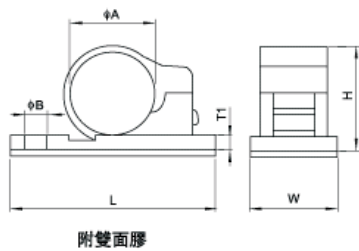
Item No.	Packing
DUF-05	100PCS

**KLS8-0403 Self-Adhesive Cable Clamp Series**



Material: UL approved Black Nylon 66, 94V-2 (Backed with adhesive tape)  
Backed with a high quality tape. Designed to secure wire bundles where fixing holes are impractical. Can be quickly applied to almost any clean, smooth and grease-free surface. (Also provided with a mounting hole)  
Color: Black

Unit:mm



Item No.	Dimension						Packing
	A	B	T1	L	W	H	
4J-S	6	4.4	2.0	25.8	13.4	9.1	100pcs
6J-S	9	4.4	3.0	29.4	13.4	14.0	
8J-S	12	4.4	3.0	35.5	16.4	16.5	
10J-S	14	4.4	3.0	36.5	16.4	18.5	
11J-S	16	4.4	3.0	38.5	16.4	20.5	
12J-S	18	4.4	3.0	42.0	16.4	22.5	