

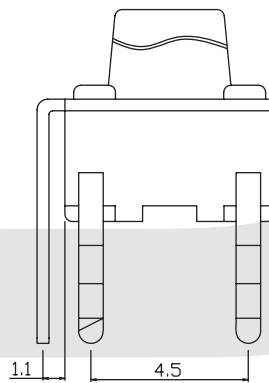
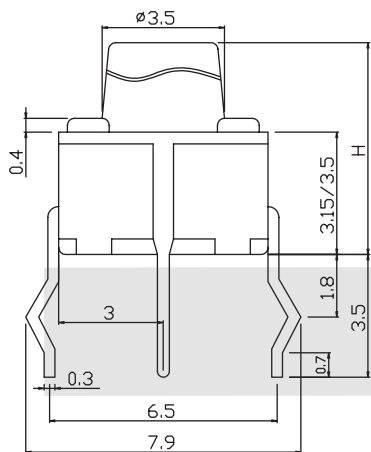
Switch

Tact Switch Series

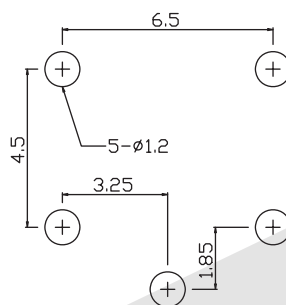
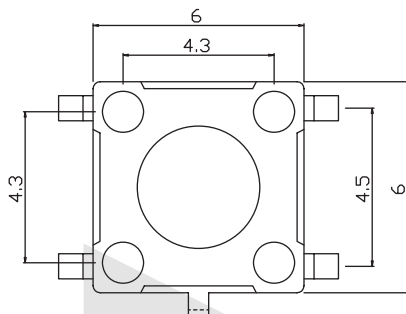
KLS7-TS6602 6x6mm Tact Switch Series

ELECTRICAL

1. Rating: 50mA 12VDC
2. Contact Resistance : 50mΩ max(initial)
3. Insulation Resistance: 100MΩ(minDC 250V)
4. Dielectric Strength : AC250V(50/60Hz for 1minute)
5. Electrically Life: 100000cycles
6. Environment temperature: -20°C~+70°C
7. Operating Force: 180/250(±30gf)
8. Seal temperature: 260°C~ 280°C



H
4.3
5.0
6.0
7.0
8.0



PCB LAYOUT

ORDER INFORMATION

KLS7-TS6602 - 4.3 - 180

Series No.

Operating Force : 180~250gf

Hight: 4.3mm / 5.0mm / 6.0mm / 7.0mm / 8.0mm