

## MMCX Connector Series

### KLS1-MMCX002 MMCX Connector Series



#### Electrical Specifications

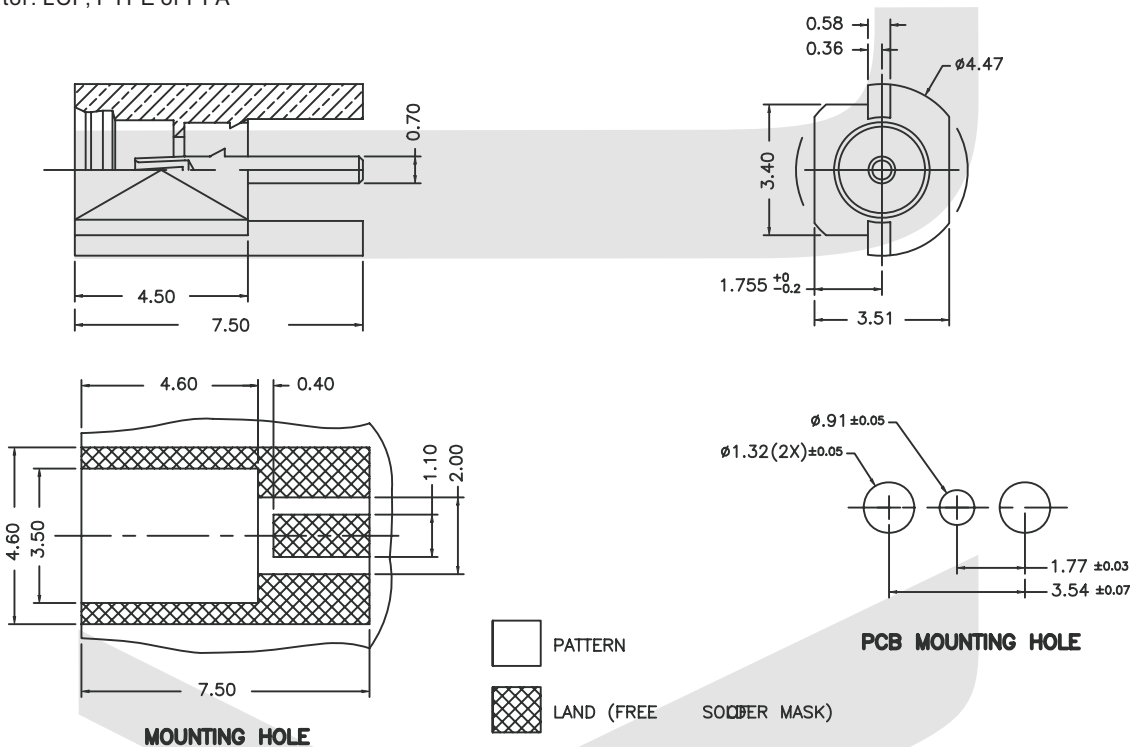
Impedance: 50 Ω  
 Frequency Range: DC - 6 GHz  
 VSWR: 1.15 max. @ DC - 4 GHz  
 1.40 max. @ 4 - 6 GHz  
 RF-Leakage: 60 dB minimum @ 1 GHz (flexible cable)  
 70 dB minimum @ 1 GHz (semi-rigid cable)  
 Voltage Rating (at sea level): 170 Vrms Max.  
 Contact Resistance: center contact: 10 mΩ Max.  
 outer contact: 5 mΩ Max.  
 Insulation Resistance: 1,000 MΩ Min.  
 Dielectric Withstanding Voltage: 500 Vrms (at sea level)

#### Mechanical

Mating: Snap-on coupling  
 Contact Captivation: 2.3 lbs  
 Engagement Force: 3.4 lbs (15N) Max.  
 Disengagement Force: 1.4 lbs (6N) Min.  
 Durability (matings): 500 cycles Min.  
 Temperature Range: -55°C to +155°C

#### Material

Body and Outer Contacts: Brass, nickel or gold plated  
 Male Contact: Brass, gold plated  
 Female Contact: Beryllium copper or phosphor bronze, gold plated  
 Crimp Ferrule: Copper or brass, nickel plated  
 Insulator: LCP, PTFE or PFA



## ORDER INFORMATION

Product NO.: KLS1-MMCX002

Pos. NO. \_\_\_\_\_  
 MMCX Connector Type \_\_\_\_\_