

MCX Connector Series

KLS1-MCX003 MCX Connector Series

Electrical Specifications

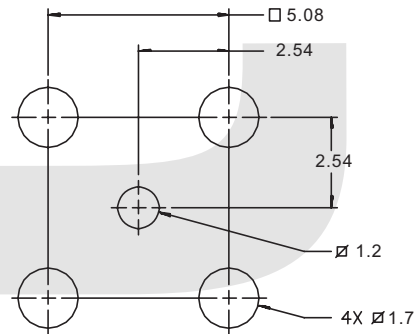
Impedance: 50Ω
 Frequency Range: DC - 6 GHz
 VSWR: 1.06 max. @ DC - 2.5 GHz (straight)
 1.1 max. @ DC - 2.5 GHz (right angle)
 RF-Leakage :60 dB Min. @ 1 GHz (flexible cable)
 70 dB Min. @ 1 GHz (semi-rigid cable)
 Voltage Rating (at sea level): 335 Vrms Min.
 Contact Resistance: Center Contact: 5 mΩ Max.
 Outer Contact: 2.5 mΩ Max.
 Insulation Resistance: 10,000 MΩ Min.
 Insertion Loss Max.: 0.10 dB @ 1 GHz
 Dielectric Withstanding Voltage: 1,000 Vrms (at sea level)

Mechanical

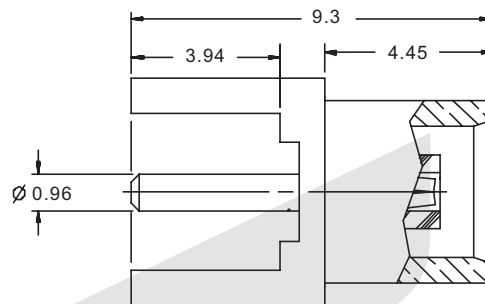
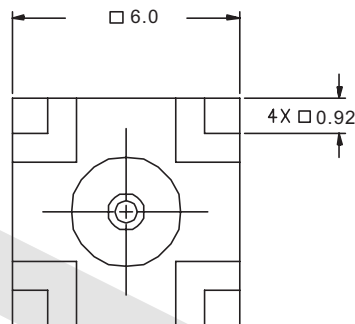
Mating: Snap-on coupling
 Braid/Jacket Cable Affixment: Hex crimp
 Center Conductor Cable Affixment: Solder
 Contact Captivation: 2.3 lbs (10N) Min.
 Engagement Force : 5.6 lbs (25N) Max.
 Disengagement Force: 2.3 lbs (10N) Min.
 Durability (matings) 500 cycles Min.
 Temperature Range -55°C to +155°C

Material

Male Contact: Brass, 30μ gold plated
 Female Contact: Beryllium copper, 30μ gold plated
 Crimp Ferrule: Copper or brass, nickel plated
 Other Metal Parts: Brass, nickel or gold plated
 Insulator: PTFE
 Gasket :Silicone rubber



MOUNTING HOLE LAYOUT



ORDER INFORMATION

Product NO.: KLS1-MCX003

Pos. NO. _____
 MCX Connector Type _____

