

## N type Connector Series

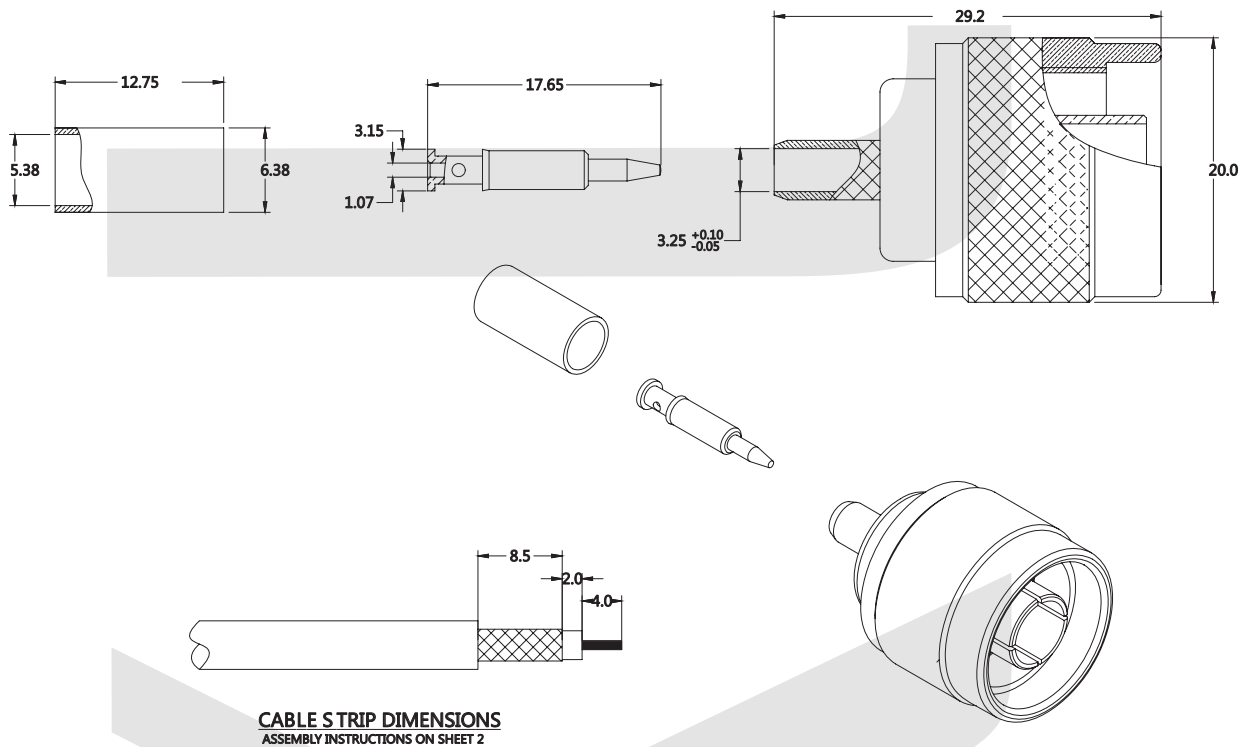
### KLS1-N001 N Type Connector Series

#### Electrical Specifications

Impedance: 50 Ω  
 Frequency Range: 0 - 11 GHz  
 Voltage Rating: 1,500 volts peak  
 VSWR: straight connectors: 1.3 Max. 0-11 GHz  
       right angle connectors: 1.35 Max. 0-11 GHz  
 Dielectric Withstanding Voltage: 2,500 volts rms  
 Insulation Resistance: 5,000 MΩ Min.  
 Center Contact Resistance: 1.0 mΩ  
 Outer Contact Resistance: 0.2 mΩ  
 RF Leakage: -90 dB Min. at 3 GHz  
 Insertion Loss: 0.15 dB Max. at 10 GHz  
 Temperature Range: -65°C to +165°C

#### Material

Male Contacts: Brass, silver or gold plated  
 Female Contacts: Phosphorous bronze, silver or gold plated  
 Other Metal Parts: Brass  
 Insulators: TFE  
 Weatherproof Gaskets: Silicone rubber  
 Crimp Ferrule: Copper



## ORDER INFORMATION

Product NO.: KLS1- N001

Pos. NO. \_\_\_\_\_  
 N Type Connector Type \_\_\_\_\_