

## SMB Connector Series

### KLS1-SMB007 SMB Connector Series

#### Electrical Specifications

Impedance: 50 Ω  
 Frequency Range: 0-4 GHz with low reflection; usable to 10.0 GHz  
 Voltage Rating for RG-188/U Cable:  
 335 volts at sea level and 85 volts at 70,000 feet  
 Dielectric Withstanding Voltage: RG-196: 750 VRMS;  
 RG-188: 1,000 VRMS  
 VSWR: Straight connector, RG-196/U: 1.30±0.04 f (GHz)  
 Right angle connector, RG-196/U: 1.45±0.06 f (GHz)  
 Straight connector, RG-188/U: 1.25±0.04 f (GHz)  
 Right angle connector, RG-188/U: 1.35±0.04 f (GHz)  
 Contact Resistance:  
 Center contact: 6.0 mΩ initial, 8.0 after environmental;  
 Outer contact: 1.0 mΩ initial, 1.5 after environmental  
 Braid to body: 1.0 mΩ initial, after environmental N/A  
 Insulation Resistance: 1,000 MΩ Min.  
 Insertion Loss: Straight connector: 0.30 dB @ 1.5 GHz  
 Right angle connector: 0.60 dB @ 1.5 GHz  
 RF Leakage: -55 dB Min. @ 2-3 GHz

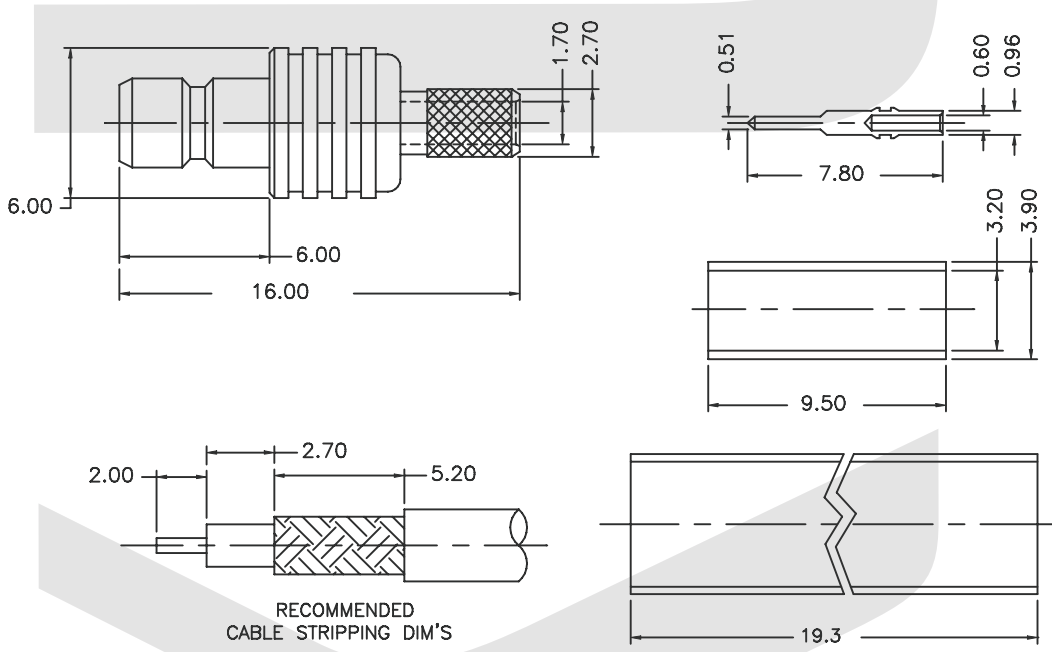
#### Mechanical

Mating: Snap-on coupling per MIL-STD-348  
 Braid/Jacket Cable Affixment: Hex crimp  
 Center Conductor Cable Affixment: Solder  
 Engagement Forces: Engagement: 14 lbs maximum  
 Disengagement: 2 lbs minimum  
 Durability: 500 cycles Min.  
 Temperature Range: -65°C to +165°C

#### Material

Center Contact:  
 Female: beryllium copper, gold-plated  
 Male: brass or beryllium copper, gold-plated  
 Outer Contact Plating: Nickel or gold plating  
 Body: Brass or zinc  
 Body Plating: Nickel or gold plating  
 Insulator: TFE  
 Crimp Ferrule: Annealed copper alloy

Cable Group: **RG-174, RG-188A, RG-316**



RECOMMENDED  
CABLE STRIPPING DIM'S

## ORDER INFORMATION

Product NO.: **KLS1-SMB007**

Pos. NO. \_\_\_\_\_  
 SMB Connector Type \_\_\_\_\_

All specification & dimensions are subject to change, please call your nearest KLS sales representative for update information

