

SMB Connector Series

KLS1-SMB001 SMB Connector Series

Electrical Specifications

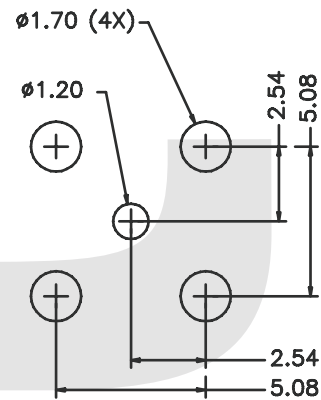
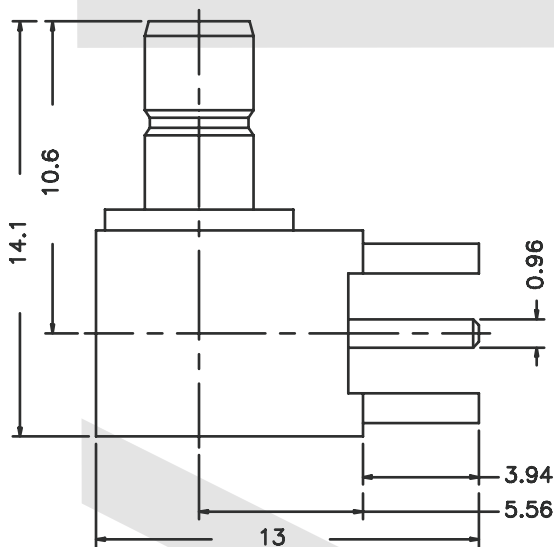
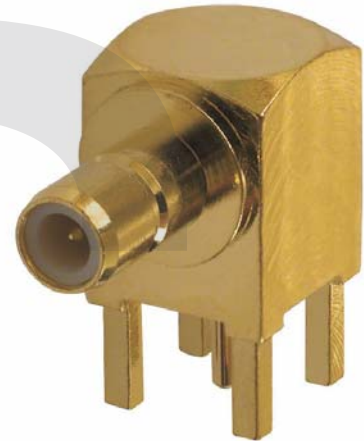
Impedance: 50 Ω
 Frequency Range: 0-4 GHz with low reflection; usable to 10.0 GHz
 Voltage Rating for RG-188/U Cable:
 335 volts at sea level and 85 volts at 70,000 feet
 Dielectric Withstanding Voltage: RG-196: 750 VRMS;
 RG-188: 1,000 VRMS
 VSWR: Straight connector, RG-196/U: 1.30±0.04 f (GHz)
 Right angle connector, RG-196/U: 1.45±0.06 f (GHz)
 Straight connector, RG-188/U: 1.25±0.04 f (GHz)
 Right angle connector, RG-188/U: 1.35±0.04 f (GHz)
 Contact Resistance:
 Center contact: 6.0 mΩ initial, 8.0 after environmental;
 Outer contact: 1.0 mΩ initial, 1.5 after environmental
 Braid to body: 1.0 mΩ initial, after environmental N/A
 Insulation Resistance: 1,000 MΩ Min.
 Insertion Loss: Straight connector: 0.30 dB @ 1.5 GHz
 Right angle connector: 0.60 dB @ 1.5 GHz
 RF Leakage: -55 dB Min. @ 2-3 GHz

Mechanical

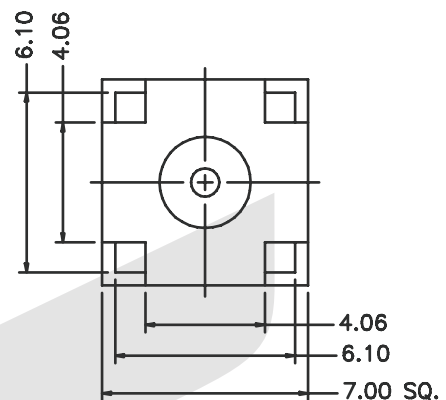
Mating: Snap-on coupling per MIL-STD-348
 Braid/Jacket Cable Affixment: Hex crimp
 Center Conductor Cable Affixment: Solder
 Engagement Forces: Engagement: 14 lbs maximum
 Disengagement: 2 lbs minimum
 Durability: 500 cycles Min.
 Temperature Range: -65°C to +165°C

Material

Center Contact:
 Female: beryllium copper, gold-plated
 Male: brass or beryllium copper, gold-plated
 Outer Contact Plating: Nickel or gold plating
 Body: Brass or zinc
 Body Plating: Nickel or gold plating
 Insulator: TFE
 Crimp Ferrule: Annealed copper alloy



PCB MOUNTING HOLES



ORDER INFORMATION

Product NO.: KLS1-SMB001

Pos. NO. _____
 SMB Connector Type _____