

# BUZZER

## Mechanical Buzzer Series

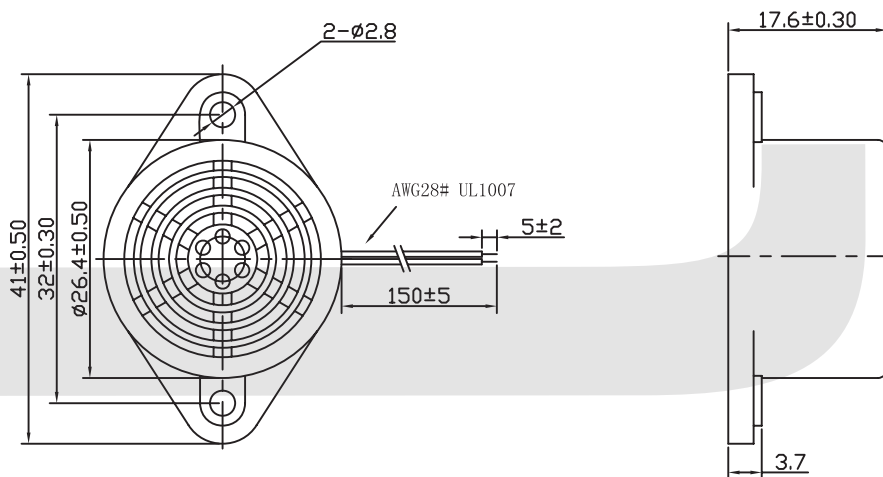
KLS3-MB-2618 26\*17.6mm Mechanical Buzzer Series

### SPECIFICATIONS

Rated Voltage	3VDC
Operating Voltage	2-4VDC
Max.Rated Current	30mA
Min.S.P.L. (@ 20cm)	80dB
Resonant Frequency	400 ± 100Hz
Operating Temp	-20 ~ +60 ° C
Weight	12g



Dimensions (Unit:mm)



Order Code	Rated Voltage	Min.S.P.L.(@20cm)
KLS3-MB-2618-A	1.5VDC	85dB
KLS3-MB-2618-B	3VDC	80dB
KLS3-MB-2618-C	6VDC	80dB
KLS3-MB-2618-D	9VDC	80dB
KLS3-MB-2618-E	12VDC	85dB
KLS3-MB-2618-F	24VDC	85dB

## ORDER INFORMATION

Product NO.: KLS3-MB-2618 A

Part Number	_____	_____	_____
Mechanical Buzzer Series	_____	_____	Rated Voltage
			Dimensions