

# TERMINAL BLOCK Connector



## Pluggable Series

KLS2-EDKEM-5.00/5.08 Series Pitch=5.00mm/5.08mm

### Electrical :

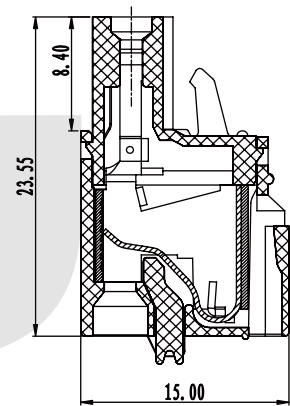
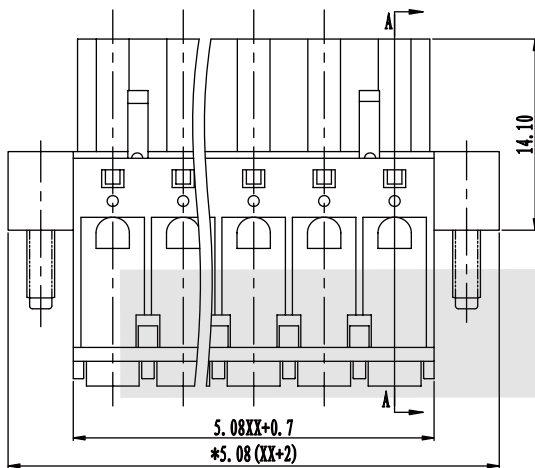
- Rated voltage: 300V
- Rated current: 15A
- Contact resistance: 20mΩ
- Insulation resistance: 5000MΩ/1000V
- Withstanding Voltage: AC1500V/1Min

### Material

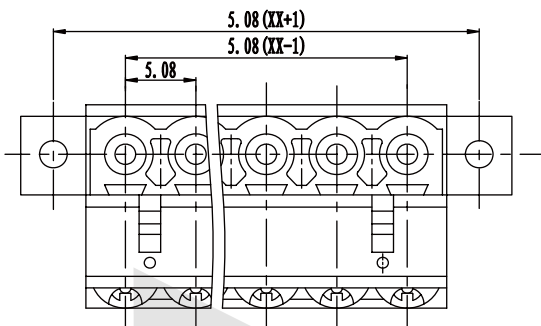
- Housing: Pa66, UL94V-0
- Screws: M2.5, steel, Zinc plated
- Contact : Phosphor Bronze

### Mechanical

- Temp. Range: -40°C~+105°C
- MAX Soldering: +250°C for 5 Sec
- Wire range: 28-12AWG 2.5mm<sup>2</sup>
- Torque: 0.4Nm (3.6Lb. in)
- Strip length: 7-8 mm



SECTION A-A



## ORDER INFORMATION

Product NO.: KLS2-EDKEM-5.00-XXP X X

Pos. NO.	_____	_____	_____	_____	_____	_____	_____	_____	_____
Series No.	_____	_____	_____	_____	_____	_____	_____	_____	_____
Pitch: 5.00=5.00mm	5.08=5.08mm	_____	_____	_____	_____	_____	_____	_____	_____
Number of Pole	_____	_____	_____	_____	_____	_____	_____	_____	_____
							Customer Request		
							Color: 1=Gray	2=Blue	3=Black
							4=Green	5=Orange	6=Red
							7=Transparent	8=Yellow	9=White

All specification & dimensions are subject to change, please call your nearest KLS sales representative for update information