

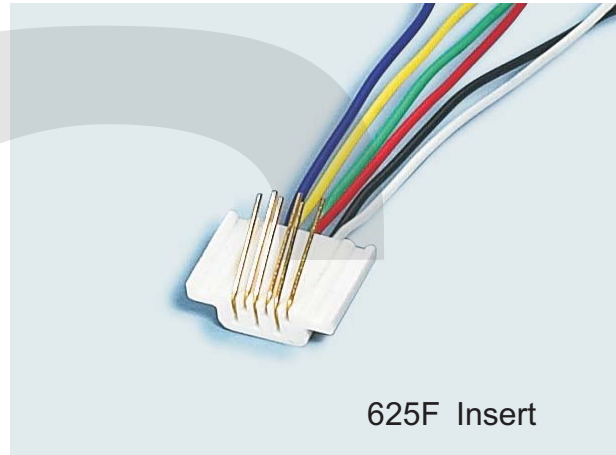
TELEPHONE PART

Wired Jacks Series

KLS12-211-6P (625F Insert)

MATERIAL

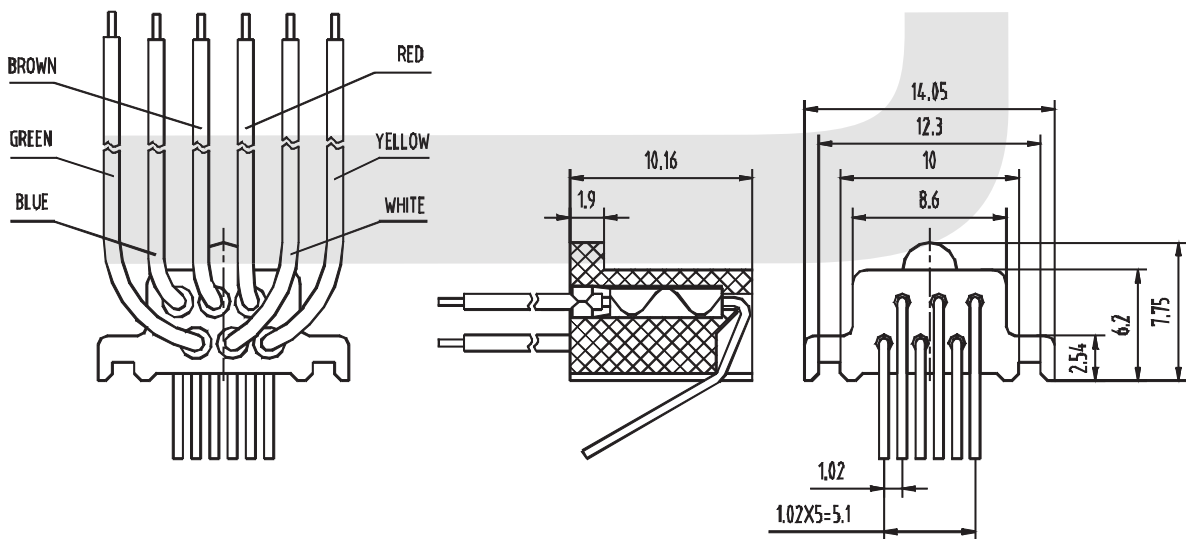
- Housing :Nylon, PBT or ABS (UL94V-0)
Color:Black Gray White IV or other color are available
- Contact Pin
Round Pin :0.46mm diameter phosphor Bronze gold plating over nickel.
Plate:3u"/6u"/15u"/30u"/50u"min.Hard gold on top of 100u"nickel plated.
- Wire Styles :UL1061 26AWG Strands.
Selective:Non UL Wire



625F Insert

ELECTRICAL SPECIFICATIONS

- Current Rating:1.5 Amp Max.@25°C.
- Voltage Rating:125 Volts AC Max.
- Insulation Resistance:500 Megohms Min.
- Contact Resistance:30 Megohms Max.
- Dielectric Withstanding Voltage:1000VAC RMS 50Hz or 60Hz.Per Min.



ORDER INFORMATION

KLS12-211 - X XX XX - X X

Part Number

Point NO.	Contact NO.	Gold Thickness	Plastic	Part Color
04-4Point	02-2Contact	01-Fu"	1-Nylon66	1-Black
06-6Point	04-4Contact	02-3u"	2-Nylon46	2-Gray
08-8Point	06-6Contact	03-6u"	3-PBT	3-White
	08-8Contact	04-15u"	4-ABS	4-IV
		05-30u"		
		06-50u"		