

**Modular Plugs Series**

**KLS12-RJ12B-6P6C**

**ELECTRICAL :**

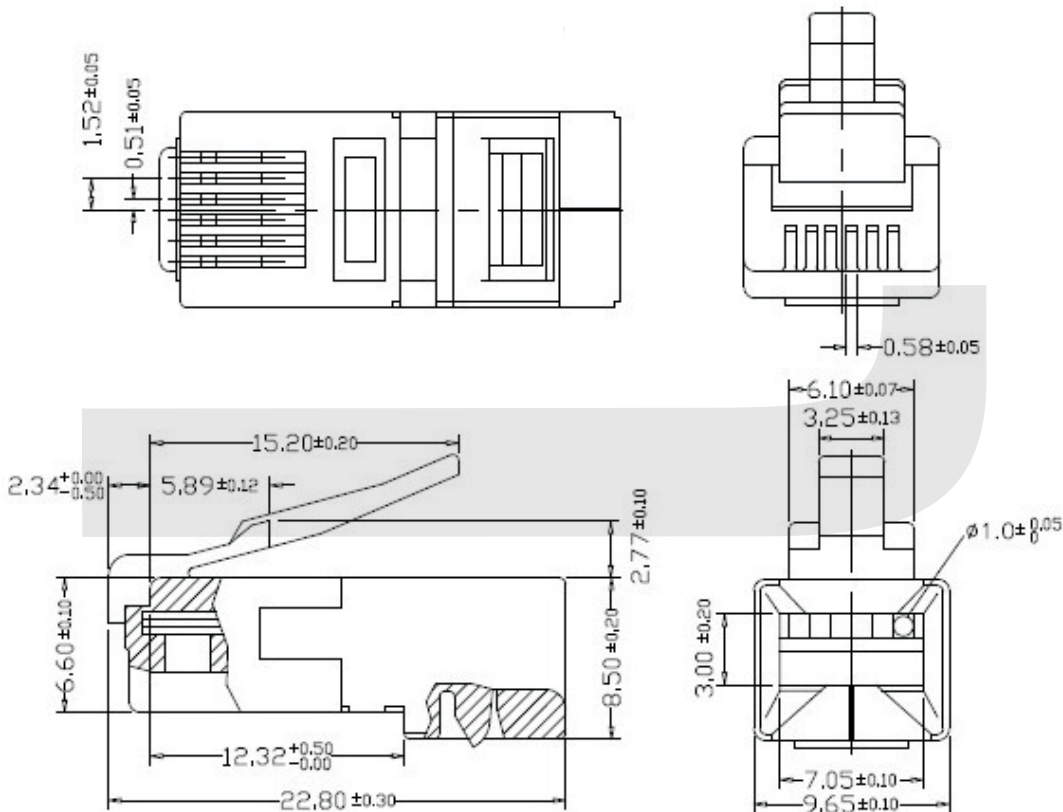
CURRENT RATING:1.5AMPS  
VOLTAGE RATING:125VAC  
WITHSTANDING VOLTAGE:AC1000V RMS 50Hz or 60Hz 1Min  
INSULATION RESISTANCE:100MEGOHMS MIN  
CONTACT RESISTANCE:39MILLMHOS MAX

**MECHANICAL**

CABLE TO PLUG TENSILE STRENGTH:7.7Kg MINI  
DURABILITY:750MATING CYCLES MINI

**MATERIAL**

HOUSING: POLYCARBONATE (PC)UL 94V-0 OR UL 94V-2  
CONTACT: PHOSPHOR BRONZE, HARD GOLD PLATED OVER NICKEL  
SHIELDING:0.25mm THICKNESS COPPER ALLOY WITH TIN PLATED  
GOLD PLATING:3u INCH,6u INCH, 15u INCH,30u INCH,50u INCH  
WORKING TEMPERATURE : -40°C ~80°C



**ORDER INFORMATION**

**KLS12-RJ12B - 6P6C XX - X X**

Part Number

| Point NO.  | Gold Thickness | Gold style  | Color       |
|------------|----------------|-------------|-------------|
| 6P6C Point | 01-Fu"         | E = 2 forks | Transparent |
| 6P4C Point | 02-3u"         | Z = 3 forks | or other    |
| 6P2C Point | 03-6u"         |             |             |
|            | 04-15u"        |             |             |
|            | 05-30u"        |             |             |
|            | 06-50u"        |             |             |