

Modular Plugs Series

KLS12-RJ46-10P10C

MATERIAL

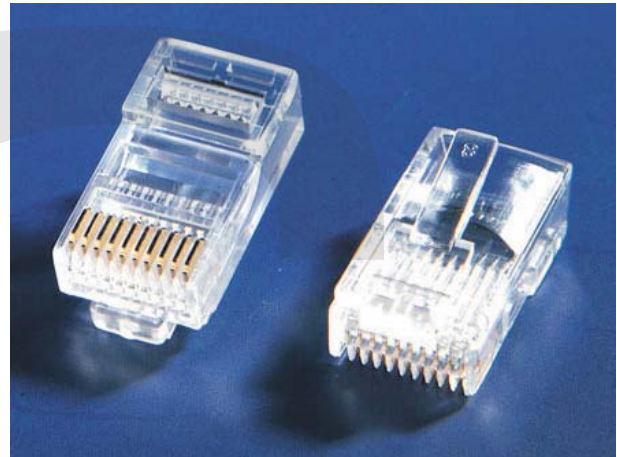
1. Housing :Polycarbonate(pc) UL 94V-0 or UL 94V-2
2. Contact :Phosphor Bronze,Hard Gold plated over nickel
- 3.Shieldingjg:0.25mm Thickness Copper Alloy With Tin plated
- 4.Gold plating:3u inch,6u inch,15u inch,30u inch,50u inch

ELECTRICAL

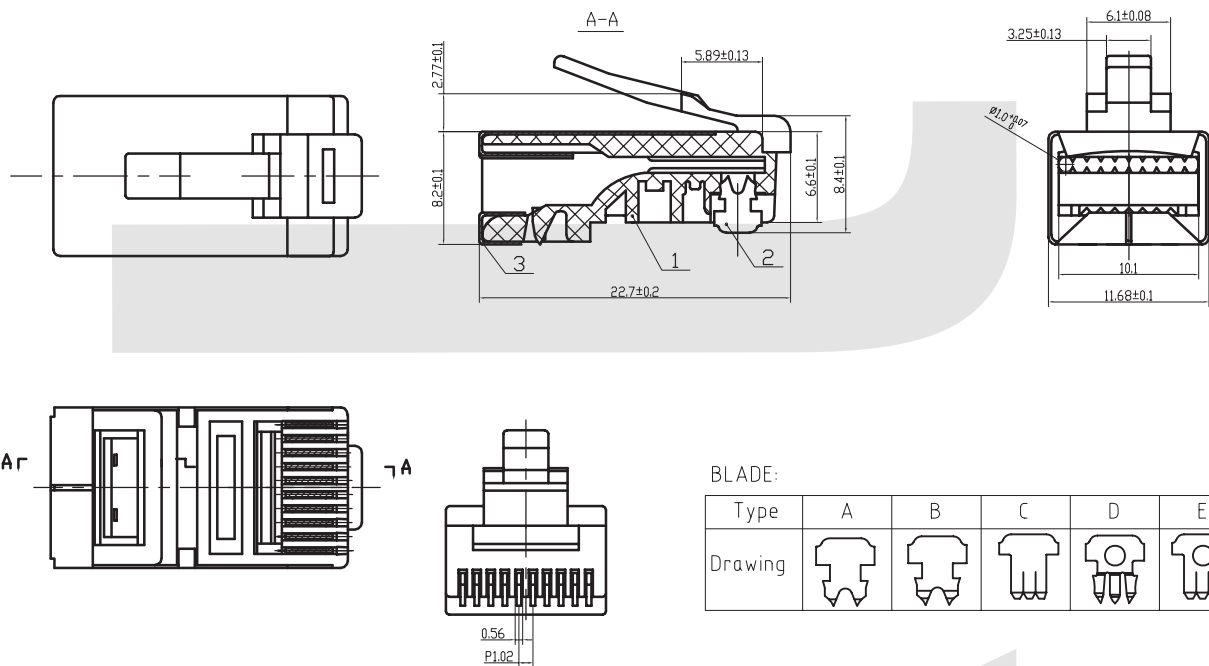
- 1.Current Rating:1.5 Amps
- 2.Voltage Rating:125 Volts AC
- 3.Insulation Resistance:100 Megohms Min.
- 4.Contact Resistance:39 Millmhos Max.
- 5.Withstanding Voltage:1000VAC RMS 50Hz or 60Hz 1 Min.

MECHANICAL

CABLE TO PLUG TENSILE STRENGTH:7.7Kg MINI
DURABILITY:750MATING CYCLES MINI
WORKING TEMPERATURE:-40°C ~60°C



XII



ORDER INFORMATION

KLS12-RJ46- 10P10C XX - X X X X

Part Number

Point NO.

10P10C Point
10P8C Point
10P6C Point
10P4C Point

Gold Thickness

01-Fu"
02-3u"
03-6u"
04-15u"
05-30u"
06-50u

Blade style

1=A Type
2=B Type
3=C Type
4=D Type
5=E Type

Color

Transparent
or other

Shielded

0=No shielded
1=With shielded

Shell

1=Steel
2=Copper shell