

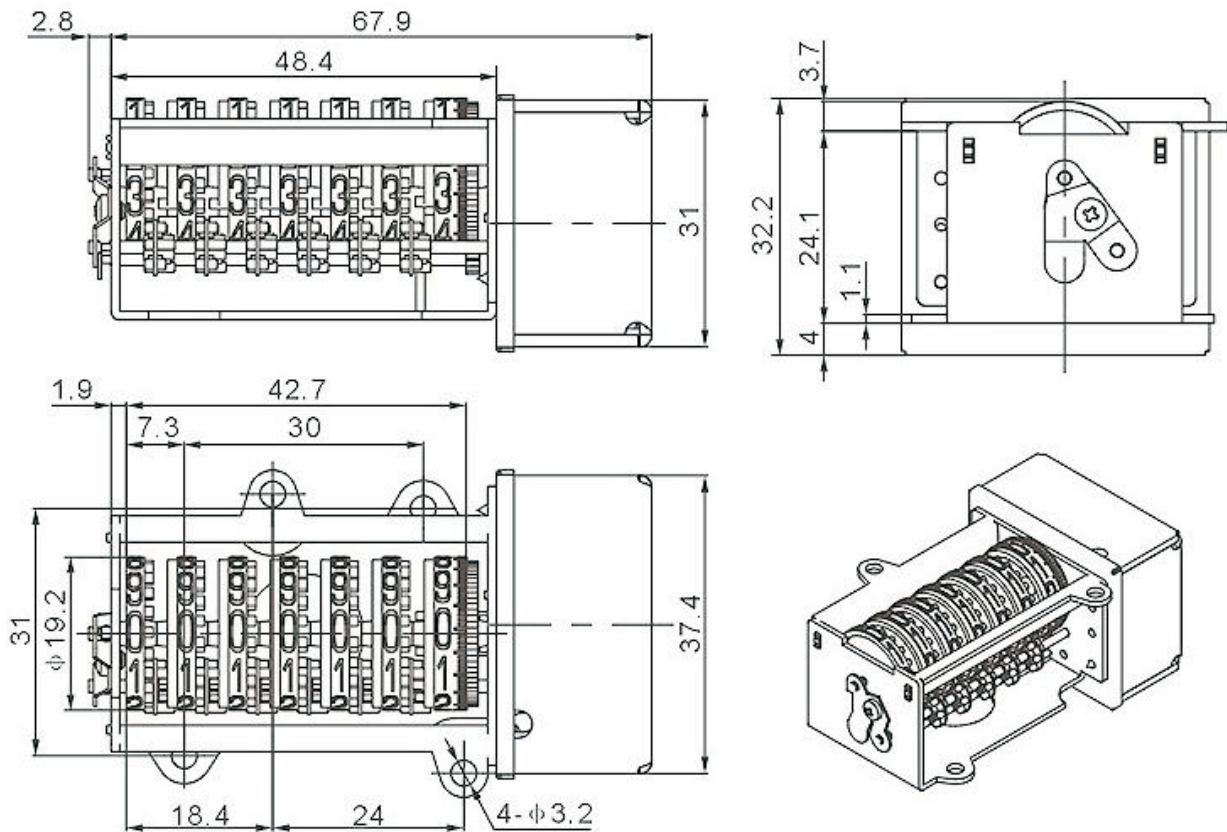
Electronic Counter Series

Electronic Counter

KLS11-KQ03C (6+1)

Electrical Specification:

- Work voltage: 3V-6V ;
- DC impedance: 450Ω 5 0Ω at 20°C ;
- Applicable frequency: ≤4HZ
- Deferent moment: 57μNm/4.5V
- Work temperature: -40°C+70°C
- Counter range: 0.0 to 99999.9
- Figure color: 5 black + 1 Red
- Use life: pulse exceed a hundred million times (more ten years)
- Antimagnetic capability: Accord GB/T17215 standard request
- Other technical condition: Accord JB5459-91 standard request
- Applicable ammeter constant: 800/1600/3200imp/kwh.



ORDER INFORMATION

Product NO.: KLS11-KQ03C (6+1) -X-X

Pos. NO.

Counter Type

Applicable pulse width
80ms-300ms

Drive ratio:
100:1
200:1
400:1
800:1