

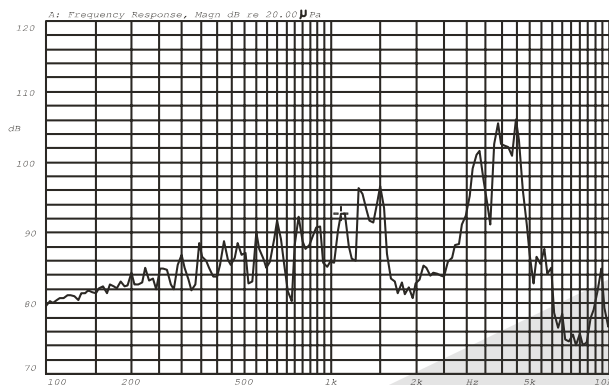
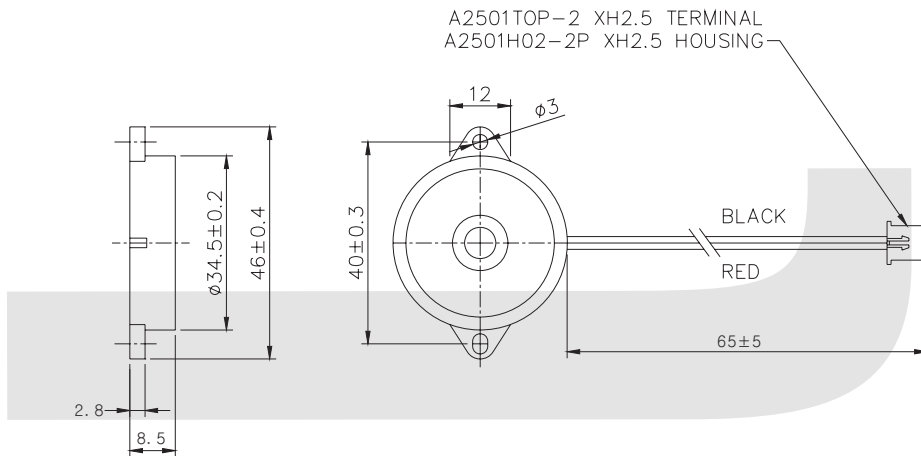
**Piezo Transducer Series**

**KLS3-LPT-35\*8.5 Without Circuit Piezo Transducer Buzzer Series**

Order Code	KLS3-LPT-35*8.5
Rated Voltage	10Vp-p
Operating Voltage	1...30Vp-p
Max. Rated Current	9mA
Resonant Frequency	1.1±0.5KHz
Min.S.P.L. (@10cm)	85dB
Capacitance at 120Hz	45000±30% pF
Operating Temp	-20°C~+70°C
Weight	5g



Dimensions (Unit:mm)



**ORDER INFORMATION**

Product No.: **KLS3 - LPT - 35\*8.5**

