

BUZZER

III

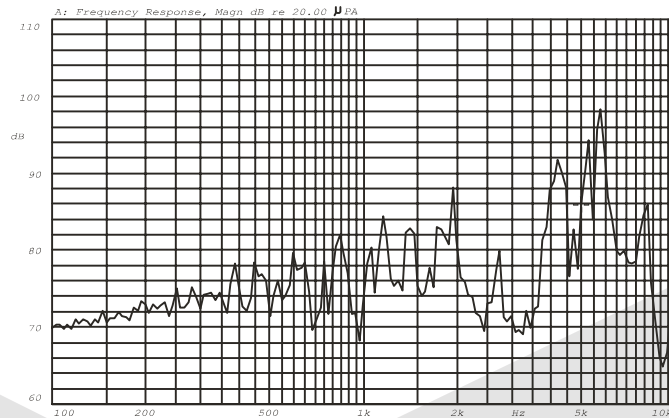
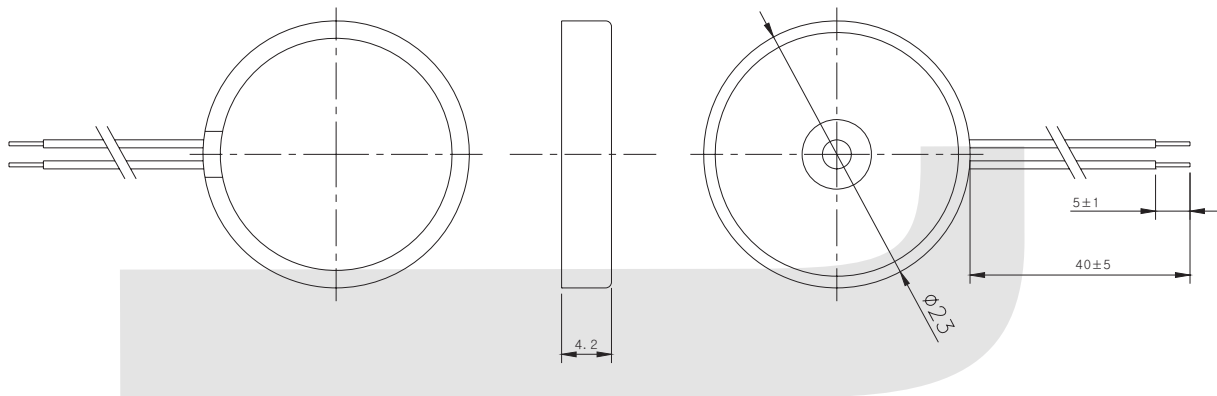
Piezo Transducer Series

KLS3-LPT-23*4.2 Without Circuit Piezo Transducer Buzzer Series

Order Code	KLS3-LPT-23*4.2
Rated Voltage	12Vp-p
Operating Voltage	1...30Vp-p
Max. Rated Current	2mA
Resonant Frequency	4±0.5KHz
Min.S.P.L. (@10cm)	80dB
Capacitance at 1,000Hz	24000±30% pF
Operating Temp	-20°C~+70°C
Weight	2g



Dimensions (Unit:mm)



ORDER INFORMATION

Product No.: **KLS3 - LPT - 23*4.2**

Part Number

Without Circuit Piezo
Transducer Buzzer Series

Order Code