

Connector

AC INLET Series

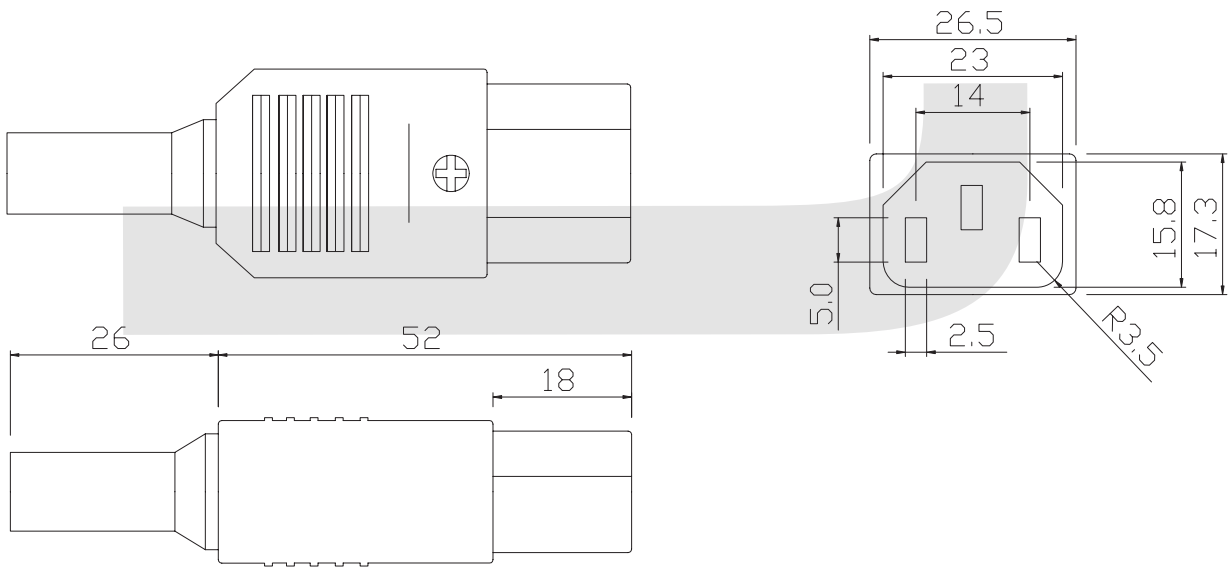
KLS1-ASS-201 AC INLET Series

SPECIFICATION:

Standard: IEC 60320 C8
Voltage rating: 250V AC
Rating: 250VAC 10A (2.5A)
InsulationResistance: 100MΩ 500V DC / 1 minute
Dielectric Strength: 2000V AC / 1 minute
Temperature range: -45°C ~ +105°C

Material:

Housing Material: PBT or Nylon 66 UL 94V-0, V-2
Terminal: Brass ,plating Ni.



ORDER INFORMATION

Product NO.: KLS1- ASS-201

Pos. NO. _____
AC Inlet Type _____