

# Connector

## AC INLET Series

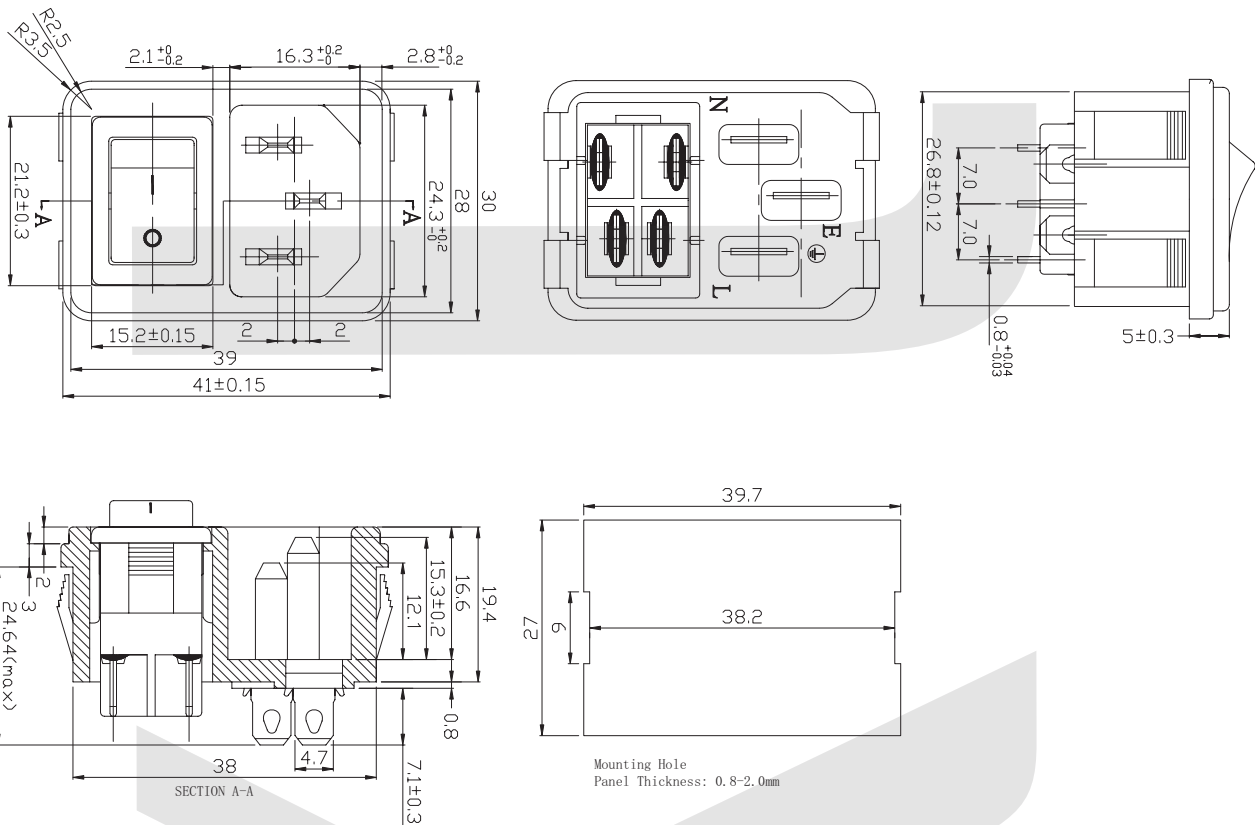
### KLS1-AS-303-2 IEC AC INLET With Rocker Switch Series

**SPECIFICATION:**

Current Rating: 250V AC 10A  
 Contact Resistance: 30mΩ Max.  
 Insulator Resistance: 100MΩ Min. at DC 500V  
 Dielectric withstand Strength test: 2000VAC / 1 minute  
 between each terminals  
 Insertion and Removal force: 5 ~ 40N  
 Operating Temperature: -45°C~+105°C  
 Electrical Life: 5000 cycles Min.

**Material:**

Insulator: PBT UL 94V-0 or PA66/PC UL 94V-0  
 Terminal: Brass ,plating Ni.



## ORDER INFORMATION

Product NO.: **KLS1-AS-303-2**

Pos. NO.

AC Inlet Type