



DIN 41612 Series

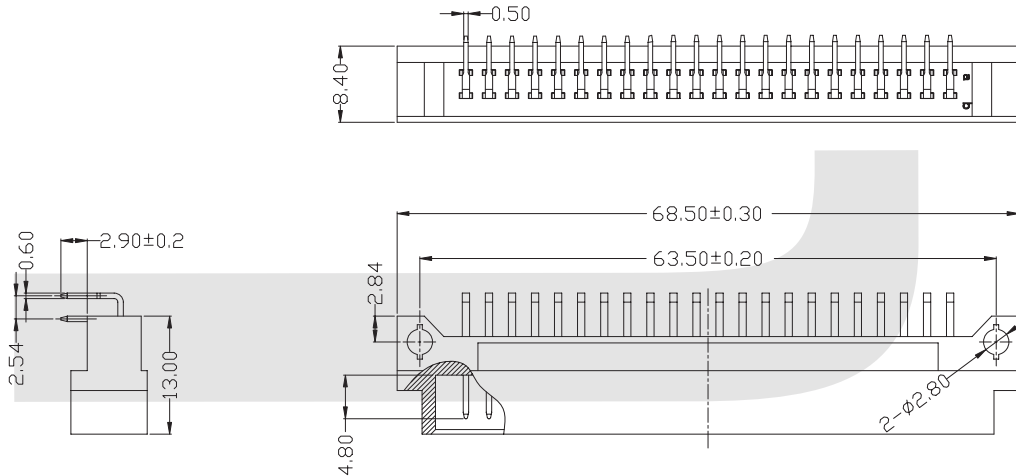
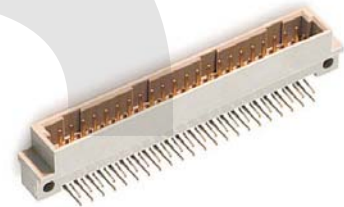
KLS1-D2Y 2x22Pin Two row Short B Type

Electrical:

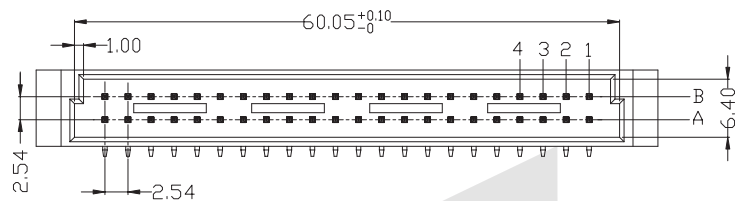
Contact Resistance: 30 mΩ Max. Insulator
 Insulation Resistance: 1000 MΩ Min. at 500 VDC
 Withstand Voltage: 1000 VAC for 1 minute
 Current Rating: 2 AMP
 Voltage Rating: 250 VAC
 Operating Temperature: -55°C~+105°C

Material:

Insulator: Glass-filled thermoplastic PBT UL94V-0
 Contacts: Male-Brass / Female-Phosphor Bronze
 Plating: full gold or selected gold in mating area.



Pitch	Position	Rows with Contacts	Contact Arrange	Part Number
2.54mm	44	a b		2244
	22	a -		2122
5.08mm	22	a b		2222
	11	a -		2111



ORDER INFORMATION

Product No.: **KLS1-D2Y-2244-MR**

Pos. No. _____ Tail Style: S-4.0mm Straight pin
 Din41612 2x22Pin Two row Short Type _____ W1-13mm Straight pin
 Part Number: 2244 / 2122 / 2222 / 2111 _____ R-Right pin
 Contact Type: M=Male F=Female



DIN 41612 Series

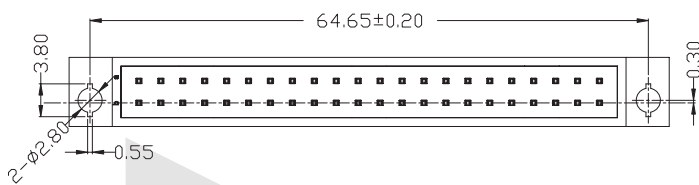
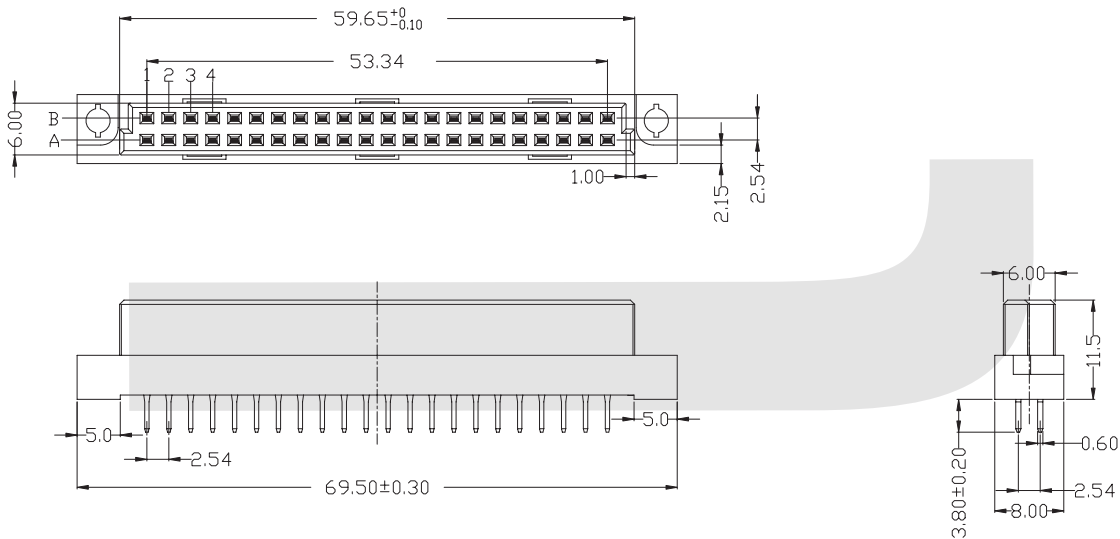
KLS1-D2Y 2x22Pin Two row Short B Type

Electrical:

Contact Resistance: 30 mΩ Max. Insulator
 Insulation Resistance: 1000 MΩ Min. at 500 VDC
 Withstand Voltage: 1000 VAC for 1 minute
 Current Rating: 2 AMP
 Voltage Rating: 250 VAC
 Operating Temperature: -55°C~+105°C

Material:

Insulator: Glass-filled thermoplastic PBT UL94V-0
 Contacts: Male-Brass / Female-Phosphor Bronze
 Plating: full gold or selected gold in mating area.



Pitch	Position	Rows with Contacts	Contact Arrange	Part Number
2.54mm	44	a b		2244
	22	a -		2122
5.08mm	22	a b		2222
	11	a -		2111

ORDER INFORMATION

Product No.: **KLS1-D2Y-2244-F S**

Pos. No. _____ Tail Style: S-4.0mm Straight pin
 Din41612 2x22Pin Two row Short Type _____ W1-13mm Straight pin
 Part Number: 2244 / 2122 / 2222 / 2111 _____ R-Right pin
 Contact Type: M=Male F=Female

DIN 41612 Series

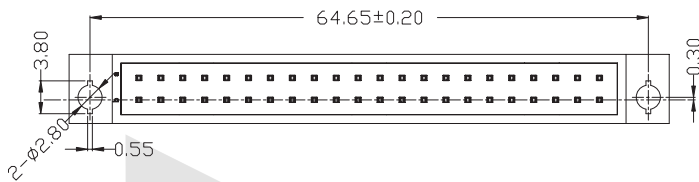
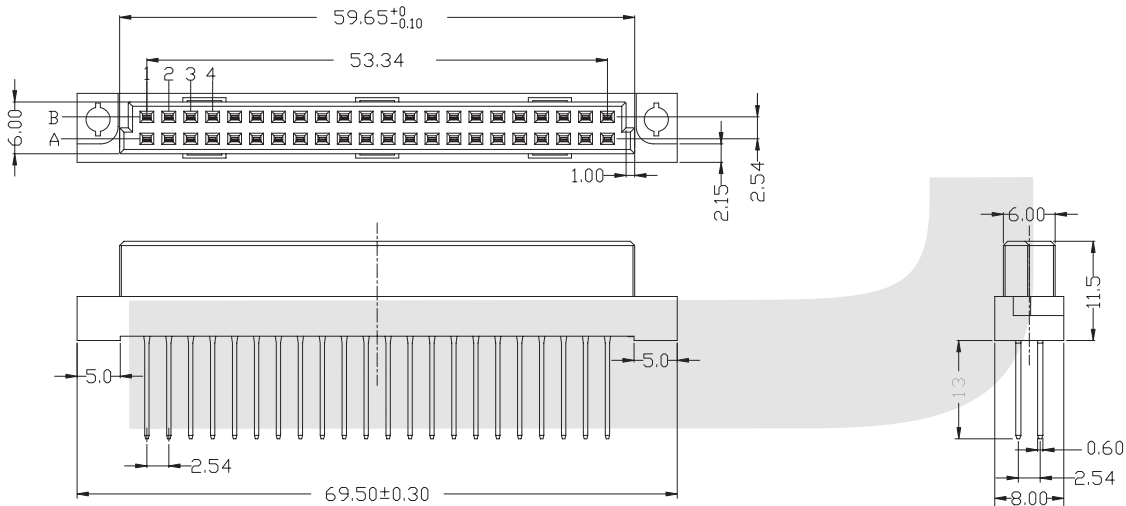
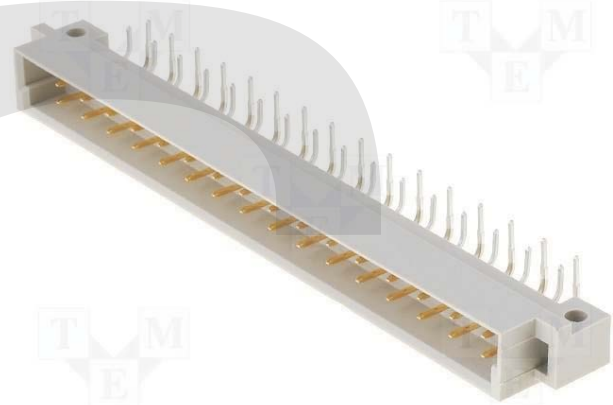
KLS1-D2Y 2x22Pin Two row Short B Type

Electrical:

Contact Resistance: 30 mΩ Max. Insulator
Insulation Resistance: 1000 MΩ Min. at 500 VDC
Withstand Voltage: 1000 VAC for 1 minute
Current Rating: 2 AMP
Voltage Rating: 250 VAC
Operating Temperature: -55°C~+105°C

Material:

Insulator: Glass-filled thermoplastic PBT UL94V-0
Contacts: Male-Brass / Female-Phosphor Bronze
Plating: full gold or selected gold in mating area.



Pitch	Position	Rows with Contacts	Contact Arrange	Part Number
2.54mm	44	a b		2244
	22	a -		2122
5.08mm	22	a b		2222
	11	a -		2111

ORDER INFORMATION

Product No.: KLS1-D2Y-2244-F W1

Pos. No. _____ Tail Style: S-4.0mm Straight pin
Din41612 2x22Pin Two row Short Type _____ W1-13mm Straight pin
Part Number: 2244 / 2122 / 2222 / 2111 _____ R-Right pin
Contact Type: M=Male F=Female

