

DIN 41612 Series

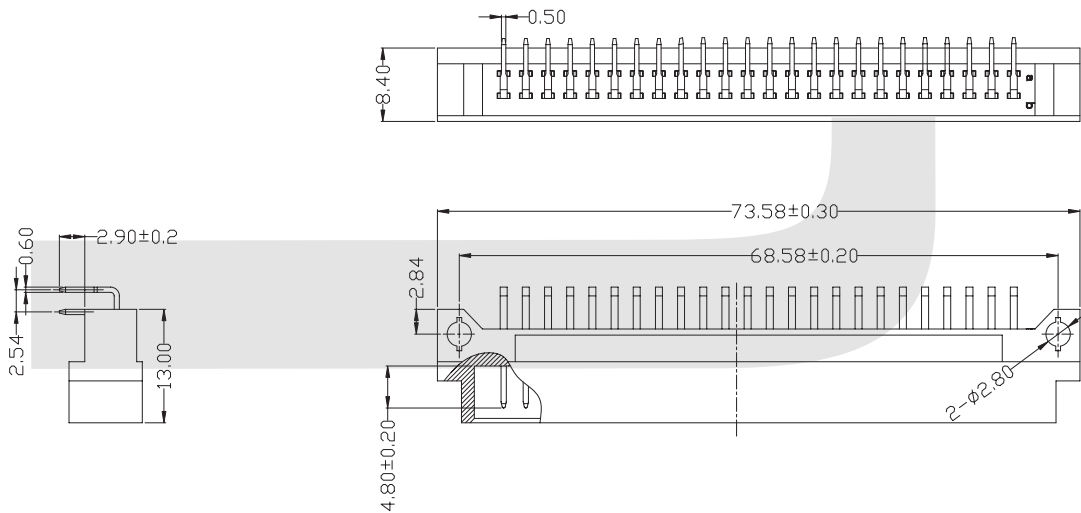
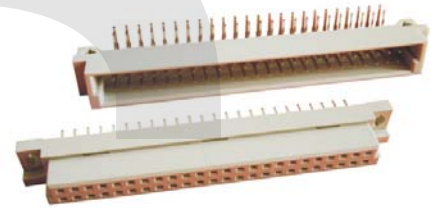
KLS1-D2Z 2x24Pin Two row Short B Type

Electrical:

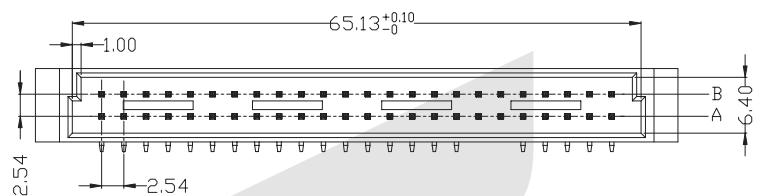
Contact Resistance: 30 mΩ Max. Insulator
Insulation Resistance: 1000 MΩ Min. at 500 VDC
Withstand Voltage: 1000 VAC for 1 minute
Current Rating: 2 AMP
Voltage Rating: 250 VAC
Operating Temperature: -55°C~+105°C

Material:

Insulator: Glass-filled thermoplastic PBT UL94V-0
Contacts: Male-Brass / Female-Phosphor Bronze
Plating: full gold or selected gold in mating area.



Pitch	Position	Rows with Contacts	Contact Arrange	Part Number
2.54mm	48	a b		2248
	24	a -		2124
5.08mm	24	a b		2224
	12	a -		2112



ORDER INFORMATION

Product No.: **KLS1-D2Z-2248-MR**

Pos. No. _____ Tail Style: S-4.0mm Straight pin
 Din41612 2x24Pin Two row Short Type _____ W1-13mm Straight pin
 Part Number: 2248 / 2124 / 2224 / 2112 _____ R-Right pin
 Contact Type: M=Male F=Female



DIN 41612 Series

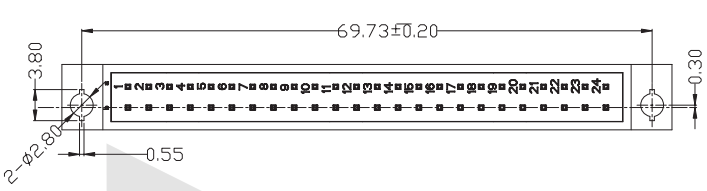
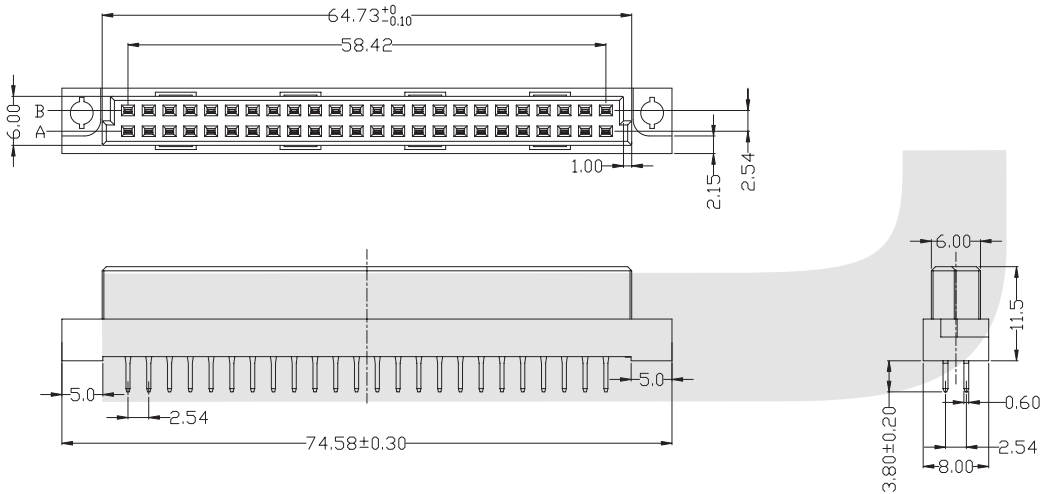
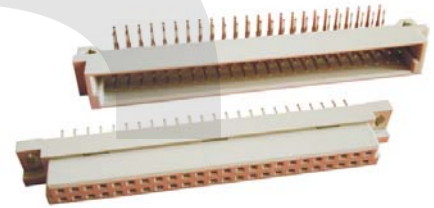
KLS1-D2Z 2x24Pin Two row Short B Type

Electrical:

Contact Resistance: 30 mΩ Max. Insulator
 Insulation Resistance: 1000 MΩ Min. at 500 VDC
 Withstand Voltage: 1000 VAC for 1 minute
 Current Rating: 2 AMP
 Voltage Rating: 250 VAC
 Operating Temperature: -55°C~+105°C

Material:

Insulator: Glass-filled thermoplastic PBT UL94V-0
 Contacts: Male-Brass / Female-Phosphor Bronze
 Plating: full gold or selected gold in mating area.



Pitch	Position	Rows with Contacts	Contact Arrange	Part Number
2.54mm	48	a b		2248
	24	a -		2124
5.08mm	24	a b		2224
	12	a -		2112

ORDER INFORMATION

Product No.: KLS1-D2Z-2248-F S

Pos. No. _____ Tail Style: S-4.0mm Straight pin
 Din41612 2x24Pin Two row Short Type W1-13mm Straight pin
 Part Number: 2248 / 2124 / 2224 / 2112 R-Right pin
 Contact Type: M=Male F=Female

DIN 41612 Series

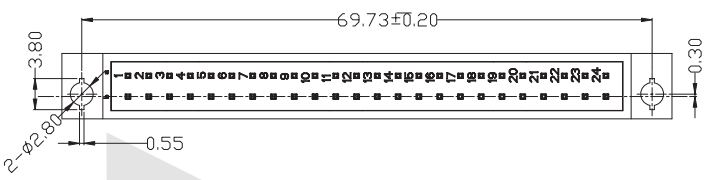
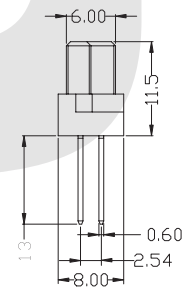
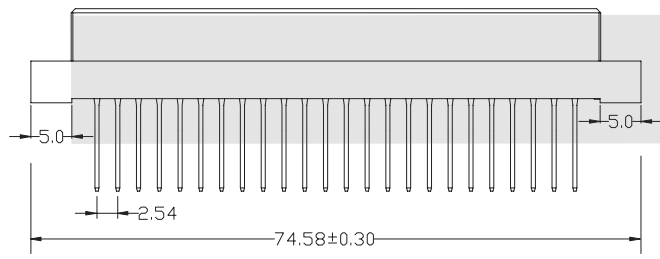
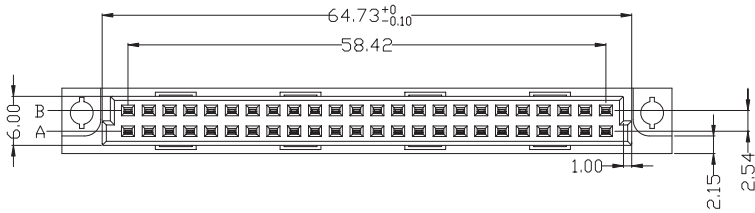
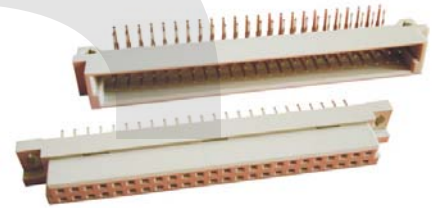
KLS1-D2Z 2x24Pin Two row Short B Type

Electrical:

Contact Resistance: 30 mΩ Max. Insulator
Insulation Resistance: 1000 MΩ Min. at 500 VDC
Withstand Voltage: 1000 VAC for 1 minute
Current Rating: 2 AMP
Voltage Rating: 250 VAC
Operating Temperature: -55°C~+105°C

Material:

Insulator: Glass-filled thermoplastic PBT UL94V-0
Contacts: Male-Brass / Female-Phosphor Bronze
Plating: full gold or selected gold in mating area.



Pitch	Position	Rows with Contacts	Contact Arrange	Part Number
2.54mm	48	a b		2248
	24	a -		2124
5.08mm	24	a b		2224
	12	a -		2112

ORDER INFORMATION

Product No.: KLS1-D2Z-2248-F W1

Pos. No. _____ Tail Style: S-4.0mm Straight pin
 Din41612 2x24Pin Two row Short Type _____ W1-13mm Straight pin
 Part Number: 2248 / 2124 / 2224 / 2112 _____ R-Right pin
 Contact Type: M=Male F=Female

All specification & dimensions are subject to change, please call your nearest KLS sales representative for update information

