

## DIN 41612 Series

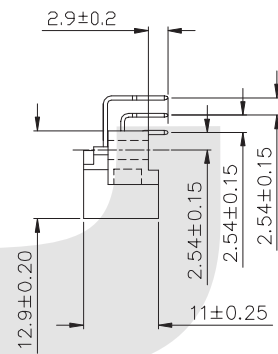
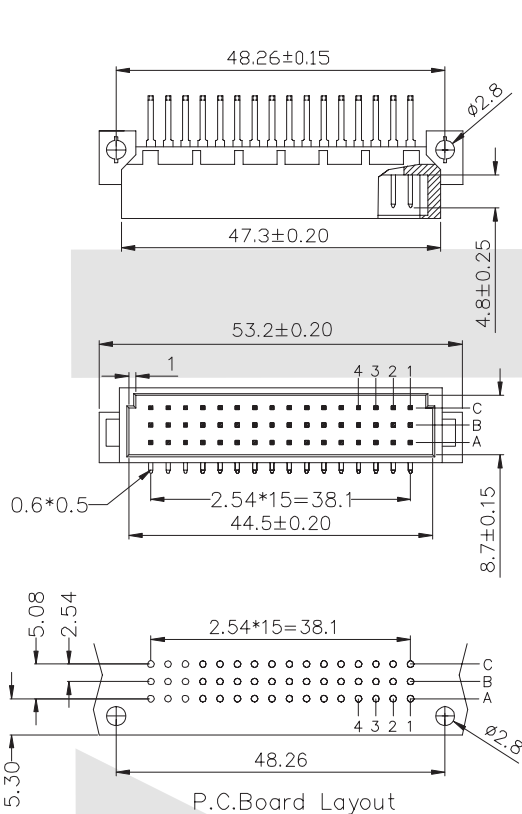
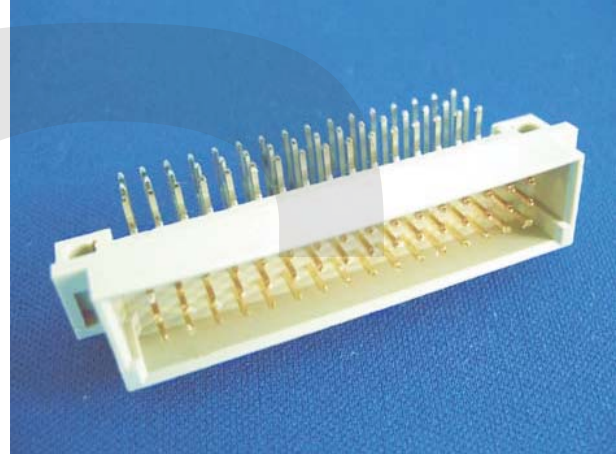
KLS1-D3X 3x16Pin 3 row Short C Type

### Electrical:

Contact Resistance: 30 mΩ Max. Insulator  
Insulation Resistance: 1000 MΩ Min. At 500 VDC  
Withstand Voltage: 1000 VAC for 1 minute  
Current Rating: 2 AMP  
Voltage Rating: 250 VAC  
Operating Temperature: -55 °C ~ +105 °C

### Material:

Insulator: Glass-filled thermoplastic PBT UL94V-0  
Contacts: Male-Brass / Female-Phosphor Bronze  
Plating: full gold or selected gold in mating area.



Pitch	Position	Rows with Contacts	Contact Arrange	Part Number
2.54mm	48	a b c		3348
	32	a - c		3232
5.08mm	24	a b c		3324
	16	a - c		3216

## ORDER INFORMATION

Product No.: KLS1-D3X-3348-MR

Pos. No. \_\_\_\_\_ Tail Style: S -4.0mm Straight pin  
W1-13mm Straight pin  
R -Right pin  
3x16Pin 3 row Short Type \_\_\_\_\_ Contact Type: M=Male Plug  
F=Female Receptacle  
Part Number: 3348 / 3232 / 3324 / 3216

## DIN 41612 Series

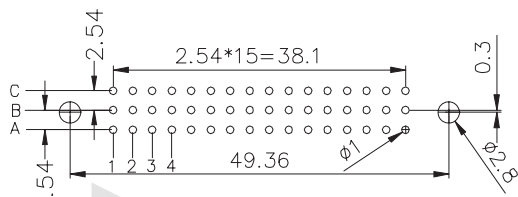
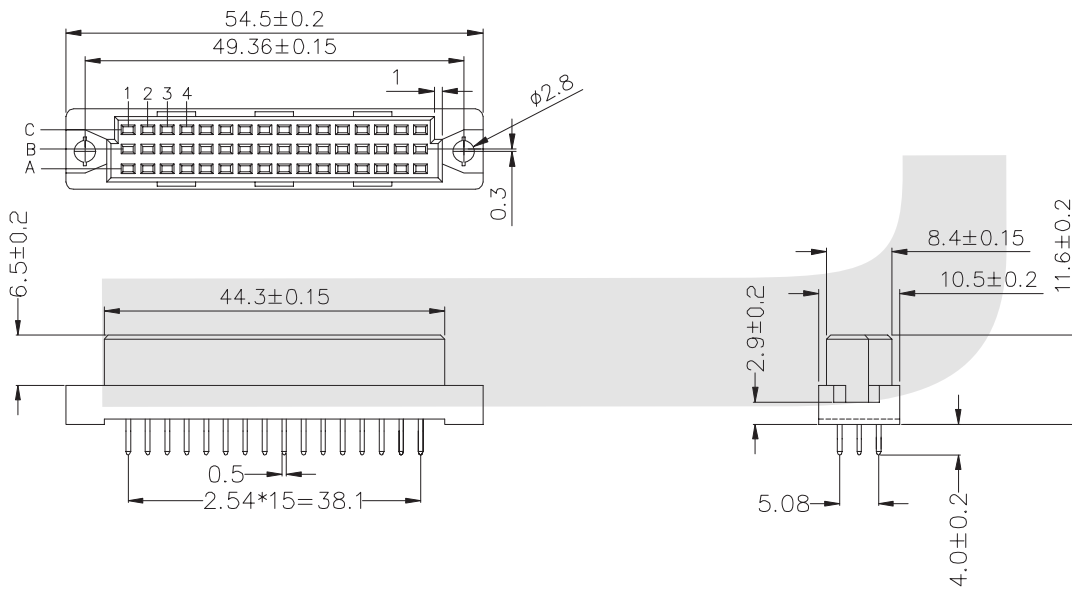
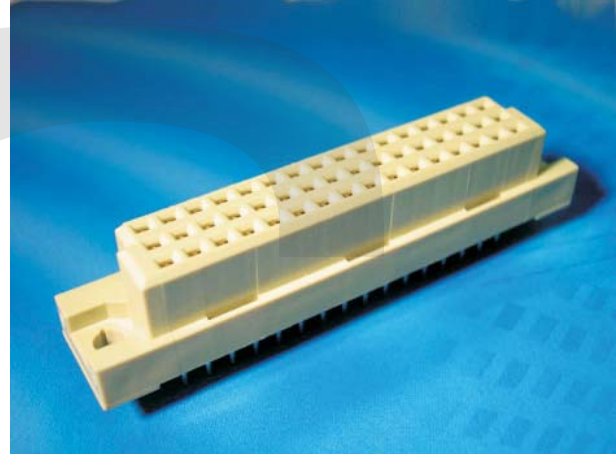
KLS1-D3X 3x16Pin 3 row Short C Type

### Electrical:

Contact Resistance: 30 mΩ Max. Insulator  
Insulation Resistance: 1000 MΩ Min. At 500 VDC  
Withstand Voltage: 1000 VAC for 1 minute  
Current Rating: 2 AMP  
Voltage Rating: 250 VAC  
Operating Temperature: -55 °C ~ +105 °C

### Material:

Insulator: Glass-filled thermoplastic PBT UL94V-0  
Contacts: Male-Brass / Female-Phosphor Bronze  
Plating: full gold or selected gold in mating area.



P.C.Board Layout

Pitch	Position	Rows with Contacts	Contact Arrange	Part Number
2.54mm	48	a b c		3348
	32	a - c		3232
5.08mm	24	a b c		3324
	16	a - c		3216

## ORDER INFORMATION

Product No.: KLS1-D3X-3348-F S

Pos. No. \_\_\_\_\_ Tail Style: S -4.0mm Straight pin  
 3x16Pin 3 row Short Type \_\_\_\_\_ W1-13mm Straight pin  
 Part Number: 3348 / 3232 / 3324 / 3216 \_\_\_\_\_ R -Right pin  
 Contact Type: M=Male Plug  
 F=Female Receptacle

## DIN 41612 Series

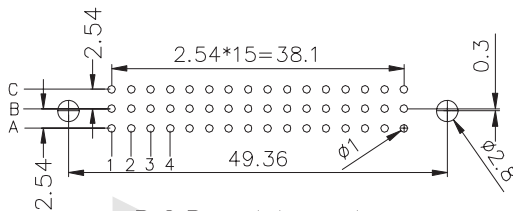
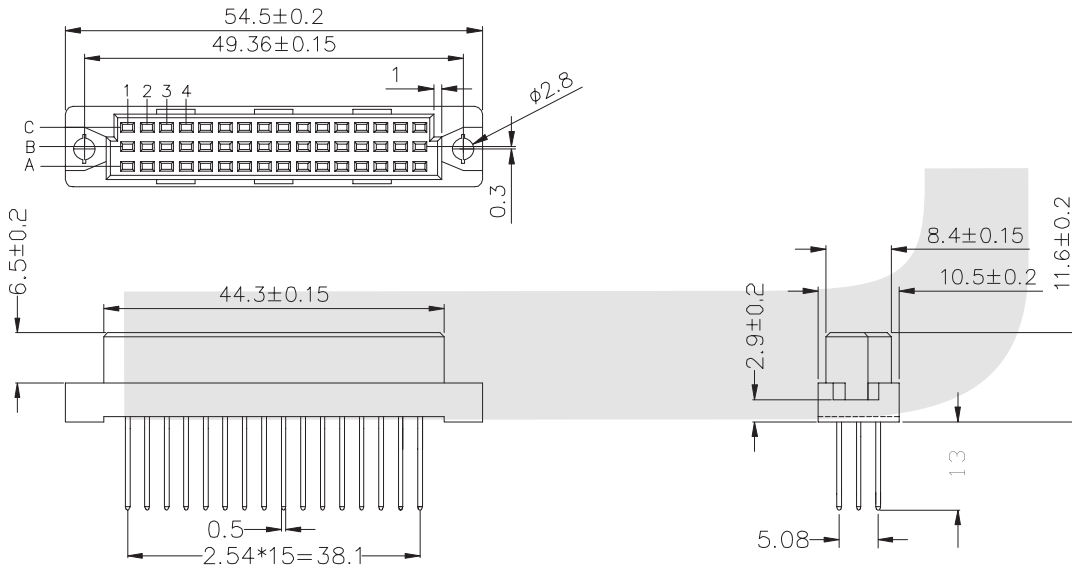
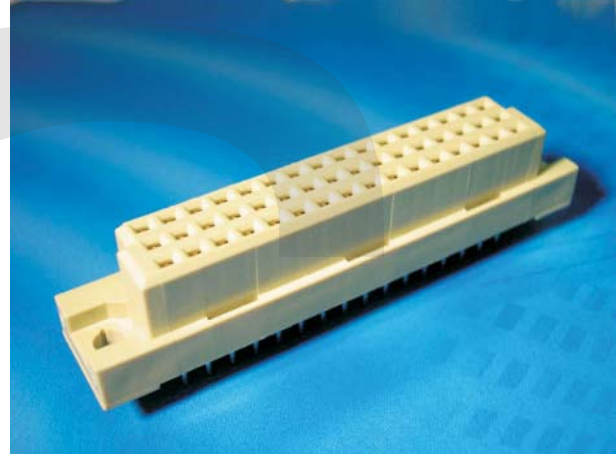
### KLS1-D3X 3x16Pin 3 row Short C Type

#### Electrical:

Contact Resistance: 30 mΩ Max. Insulator  
Insulation Resistance: 1000 MΩ Min. At 500 VDC  
Withstand Voltage: 1000 VAC for 1 minute  
Current Rating: 2 AMP  
Voltage Rating: 250 VAC  
Operating Temperature: -55 °C ~ +105 °C

#### Material:

Insulator: Glass-filled thermoplastic PBT UL94V-0  
Contacts: Male-Brass / Female-Phosphor Bronze  
Plating: full gold or selected gold in mating area.



P.C.Board Layout

Pitch	Position	Rows with Contacts	Contact Arrange	Part Number
2.54mm	48	a b c		3348
	32	a - c		3232
5.08mm	24	a b c		3324
	16	a - c		3216

## ORDER INFORMATION

### Product No.: KLS1-D3-3396-F W1

Pos. No. \_\_\_\_\_ Tail Style: S -4.0mm Straight pin  
W1-13mm Straight pin  
R -Right pin  
3X32Pin 3 row Long Type  
Part Number: 3396 / 3264 / 3348 / 3232  
Contact Type: M=Male Plug  
F=Female Receptacle

## DIN 41612 Series

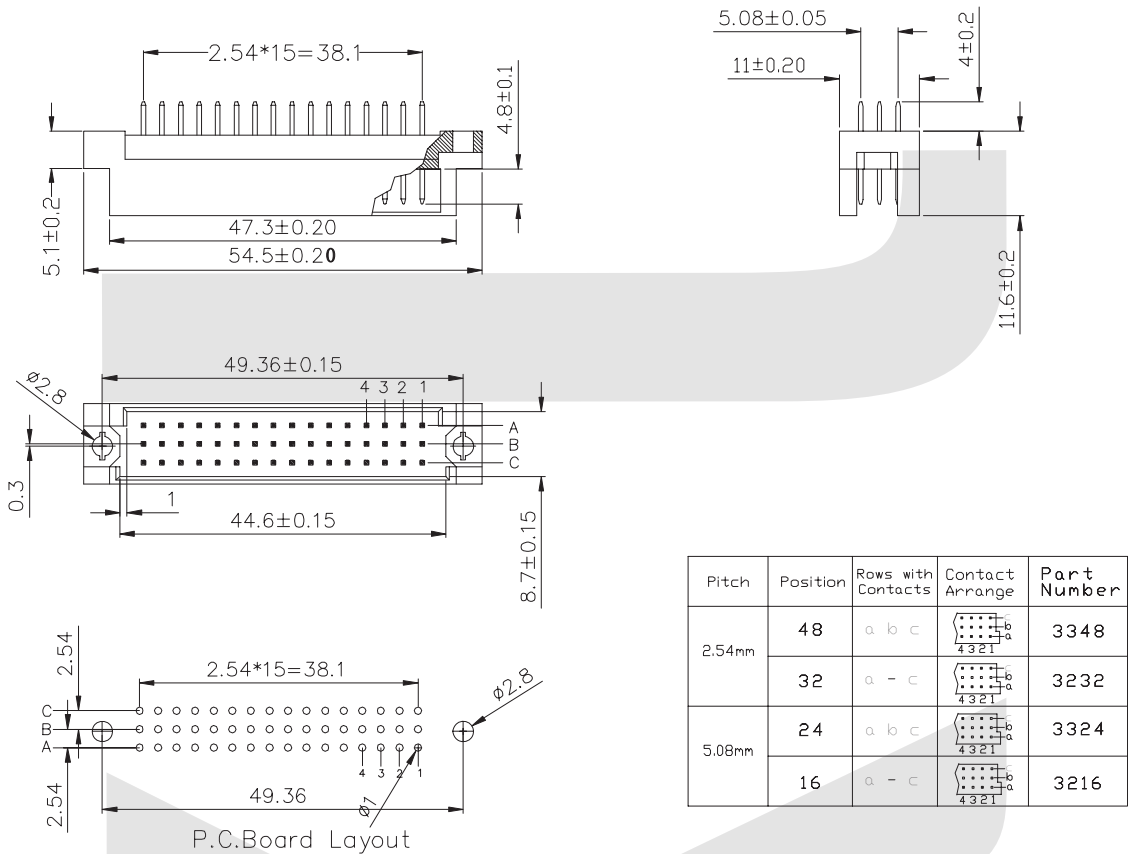
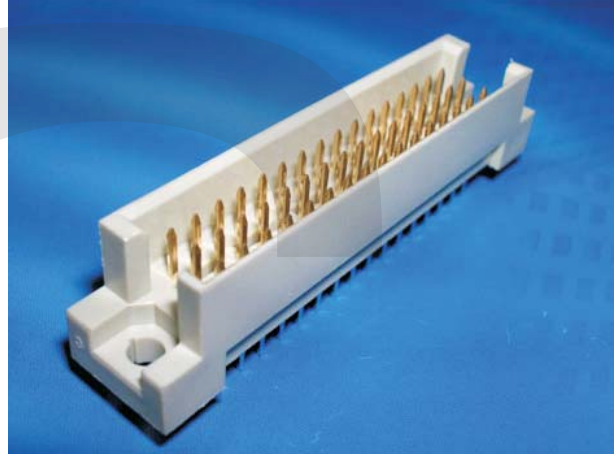
### KLS1-D3X 3x16Pin 3 row Short R Type

**Electrical:**

Contact Resistance: 30 mΩ Max. Insulator  
 Insulation Resistance: 1000 MΩ Min. At 500 VDC  
 Withstand Voltage: 1000 VAC for 1 minute  
 Current Rating: 2 AMP  
 Voltage Rating: 250 VAC  
 Operating Temperature: -55 °C ~ +105 °C

**Material:**

Insulator: Glass-filled thermoplastic PBT UL94V-0  
 Contacts: Male-Brass / Female-Phosphor Bronze  
 Plating: full gold or selected gold in mating area.



## ORDER INFORMATION

**Product No.: KLS1-D3X-3348-MS**

Pos. No. \_\_\_\_\_ Tail Style: S -4.0mm Straight pin  
 3x16Pin 3 row Short Type \_\_\_\_\_ W1-13mm Straight pin  
 Part Number: 3348 / 3232 / 3324 / 3216 \_\_\_\_\_ R -Right pin  
 Contact Type: M=Male Plug  
 F=Female Receptacle

All specification & dimensions are subject to change, please call your nearest KLS sales representative for update information

## DIN 41612 Series

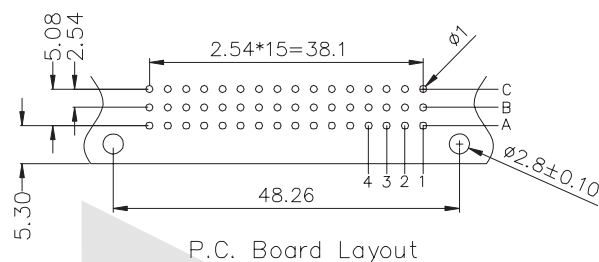
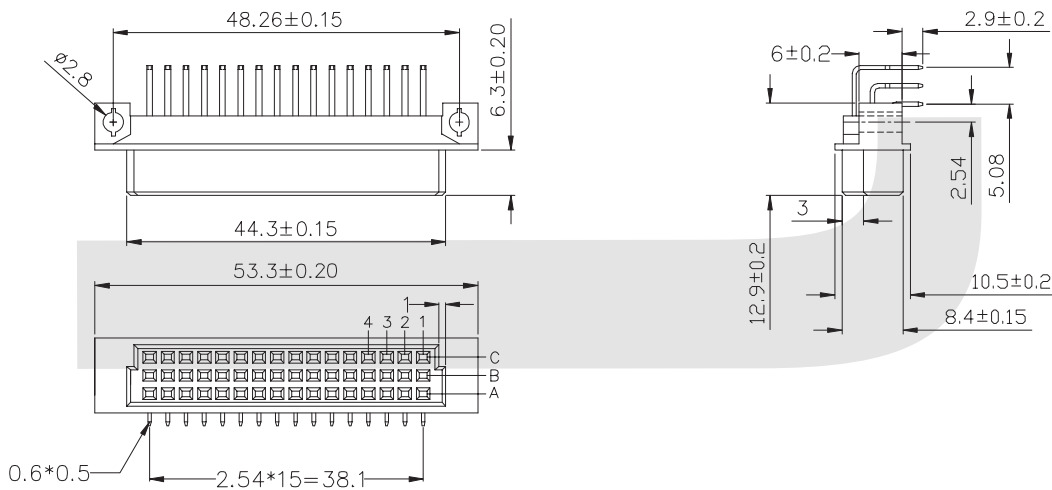
### KLS1-D3X 3x16Pin 3 row Short R Type

#### Electrical:

Contact Resistance: 30 mΩ Max. Insulator  
 Insulation Resistance: 1000 MΩ Min. At 500 VDC  
 Withstand Voltage: 1000 VAC for 1 minute  
 Current Rating: 2 AMP  
 Voltage Rating: 250 VAC  
 Operating Temperature: -55 °C ~ +105 °C

#### Material:

Insulator: Glass-filled thermoplastic PBT UL94V-0  
 Contacts: Male-Brass / Female-Phosphor Bronze  
 Plating: full gold or selected gold in mating area.



Pitch	Position	Rows with Contacts	Contact Arrange	Part Number
2.54mm	48	a b c		3348
	32	a - c		3232
5.08mm	24	a b c		3324
	16	a - c		3216

## ORDER INFORMATION

### Product No.: KLS1-D3X-3348-F R

Pos. No. \_\_\_\_\_ Tail Style: S -4.0mm Straight pin  
 3x16Pin 3 row Short Type \_\_\_\_\_ W1-13mm Straight pin  
 Part Number: 3348 / 3232 / 3324 / 3216 \_\_\_\_\_ R -Right pin  
 Contact Type: M=Male Plug  
 F=Female Receptacle

## DIN 41612 Series

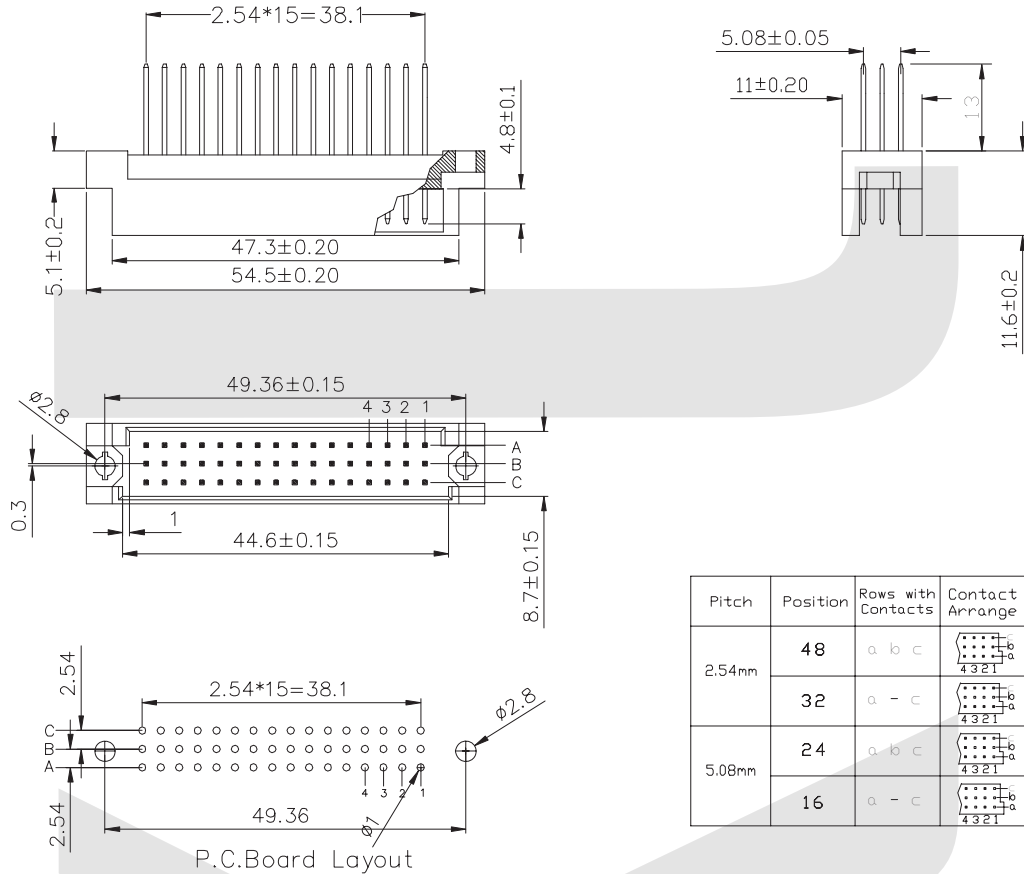
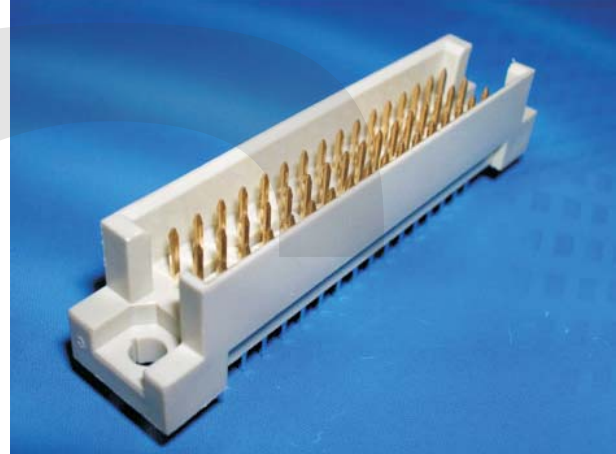
KLS1-D3X 3x16Pin 3 row Short R Type

### Electrical:

Contact Resistance: 30 mΩ Max. Insulator  
Insulation Resistance: 1000 MΩ Min. At 500 VDC  
Withstand Voltage: 1000 VAC for 1 minute  
Current Rating: 2 AMP  
Voltage Rating: 250 VAC  
Operating Temperature: -55 °C ~ +105 °C

### Material:

Insulator: Glass-filled thermoplastic PBT UL94V-0  
Contacts: Male-Brass / Female-Phosphor Bronze  
Plating: full gold or selected gold in mating area.



Pitch	Position	Rows with Contacts	Contact Arrange	Part Number
2.54mm	48	a b c		3348
	32	a - c		3232
5.08mm	24	a b c		3324
	16	a - c		3216

## ORDER INFORMATION

Product No.: KLS1-D3X-3348-MW1

Pos. No. \_\_\_\_\_ Tail Style: S -4.0mm Straight pin  
W1-13mm Straight pin  
R -Right pin  
3x16Pin 3 row Short Type \_\_\_\_\_ Contact Type: M=Male Plug  
F=Female Receptacle  
Part Number: 3348 / 3232 / 3324 / 3216 \_\_\_\_\_